

Ambient Temperature Sensor Module



Smart Agriculture, Smart Building, Smart Facility, Smart Farm, Smart Healthcare, Smart Retail, Smart Transportation

SKU: ATE



Safe Zone



Hazardous Zones

AMBIENT TEMPERATURE SENSORS ATE



Temperature measuring range : $-40\text{ }^{\circ}\text{C} \dots +85\text{ }^{\circ}\text{C}$
Temperature accuracy : $\pm 0.5\text{ }^{\circ}\text{C}$
Protection : IP67

ATE-H1.PNG

Ambient Temperature Sensor Module ATE utilizes digital temperature sensor delivers high accuracy measurement in range $-20\sim 60\text{ }^{\circ}\text{C}$. Easy connect to WS433-M12(-T) via M12 connector.

Applications

Automatic Ventilation System, Facility Monitoring, Indoor Air Quality Monitor, Warehouse Monitoring, Temperature Monitoring

Notes For Applications



Plug & Play

Just plug the pressure module onto WS433-M12F via M12 connector, then it works automatically



Multiple types

Compact type or cable extension type to suite variety applications



High accuracy

Digital sensor with factory-calibration



IP67 Weather-proof

IP67 sensor probe allows immersion into ice-water for quick validation

TEMPERATURE SENSOR FITTED WITH WS433-M12F



COMPACT SENSOR
ATE-11

CABLE TYPE SENSOR
ATE-12

ATE-H2.PNG

DAVITEQ TECHNOLOGIES INC

Ho Chi Minh City, VN | Koblenz, DE | Melbourne, AU | Zurich, CH

+84.28.6268.2523 / 6268.2524

info@daviteq.com

www.iot.daviteq.com

Created date: Dec-21-2022


Updated date: Aug-28-2024


1/4


Specification

Sensor	Digital type, factory calibrated, IP67, immersible to ice-water for quick validation
Measuring range	-20~85°C
Accuracy	±0.5°C
Resolution	0.125°C
Material	PA plastic
Electrical connection	M12-male connector

DAVITEQ TECHNOLOGIES INC

 Ho Chi Minh City, VN | Koblenz, DE | Melbourne, AU | Zurich, CH

 +84.28.6268.2523 / 6268.2524

 info@daviteq.com

www.iot.daviteq.com

Created date: Dec-21-2022

Updated date: Aug-28-2024

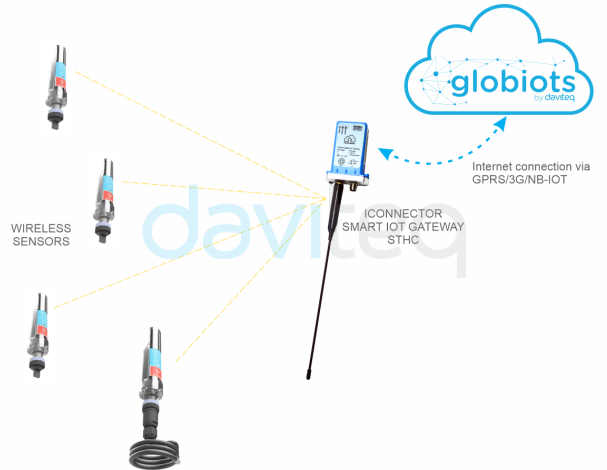
2/4

MONITORING TEMPERATURE IN WAREHOUSE



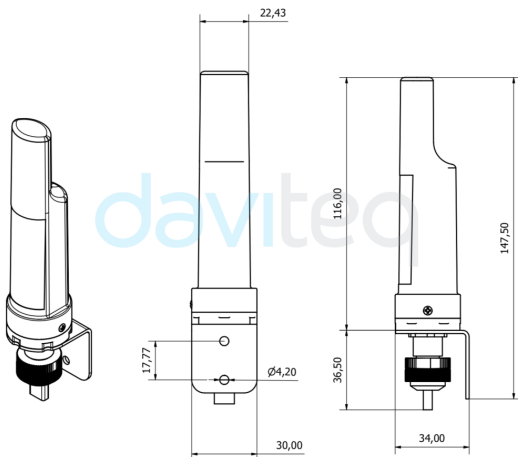
ATE-H3.PNG

CONNECT WIRELESS SENSORS TO GLOBIOTS Platform



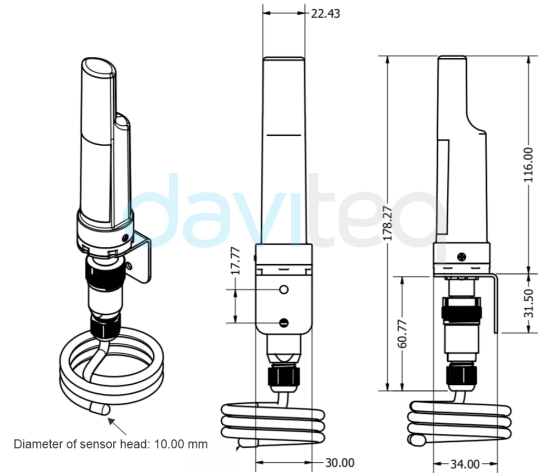
ATE-H4.PNG

DIMENSION DRAWINGS OF COMPACT TEMPERATURE SENSOR



ATE-H5.PNG

DIMENSION DRAWINGS OF CABLE TYPE TEMPERATURE SENSOR



ATE-H6.PNG

RECOMMENDED BATTERIES FOR WIRELESS SENSOR WS433

E91 AA Alkaline battery

L91 AA Lithium battery



-18 .. + 60 oC working temperature

-40 .. + 60 oC working temperature

10-year shelf life

20-year shelf life

3000 mAh Capacity

3500 mAh Capacity

Price: 1X

Price: 3.5X

ATE-H7.PNG

DAVITEQ TECHNOLOGIES INC

📍 Ho Chi Minh City, VN | Koblenz, DE | Melbourne, AU | Zurich, CH

☎ +84.28.6268.2523 / 6268.2524

✉ info@daviteq.com

www.iot.daviteq.com


Created date: Dec-21-2022


Updated date: Aug-28-2024


Ordering Information

ITEM CODE	DESCRIPTIONS
ATE-11	Compact ambient Temperature Sensor DULP module, M12-male connector
ATE-12-300	300mm Cable type ambient Temperature Sensor DULP module, M12-male connector
Notes	* Sensor with extension cable may have length up to 2000mm, please consult factory.

DAVITEQ TECHNOLOGIES INC

 Ho Chi Minh City, VN | Koblenz, DE | Melbourne, AU | Zurich, CH

 +84.28.6268.2523 / 6268.2524

 info@daviteq.com

www.iot.daviteq.com

Created date: Dec-21-2022

Updated date: Aug-28-2024

4/4