

Fuel Level Sensor for Vehicle



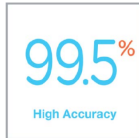
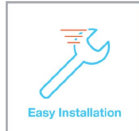
Smart Transportation

SKU: CAP10

SMART FUEL LEVEL SENSOR PulseCAP10



CAP10-H1.PNG



Safe Zone

Hazardous Zones

PulseCAP10 is a Smart fuel level sensor, was invented & manufactured since 2010, up to now there have been 50000 pieces of sensor delivered to Vietnam, Malaysia, Singapore, Philippines, Indonesia, India, Mexico, USA... PulseCAP10 fuel level sensor utilizes the unique digital capacitance measuring technique of Daviteq, deliver high accuracy measurement and stability. It has multiple outputs, can work with many kind of GPS devices in over the world.

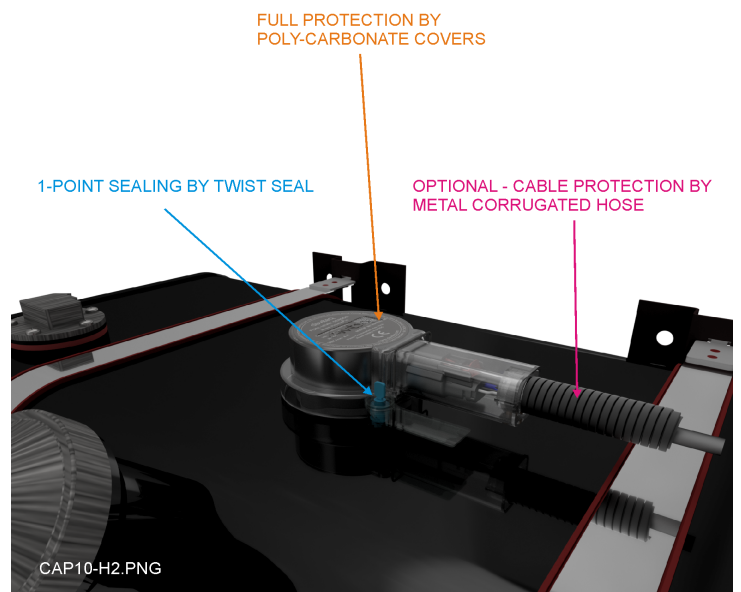
Applications

Energy Monitoring, Fuel Monitoring, Vehicle Tracking

Notes For Applications

- 99.5% Accuracy**
Patented digital capacitance measuring technique PulseCAP10 of Daviteq allow high accuracy
- High Stability**
Patented digital capacitance measuring technique PulseCAP10 of Daviteq with smart mechanical structure allow very high stable measuring output
- No need Calibration after cutting**
Smart Firmware allow automatically recognize its new length after cutting. No need complicated calibration steps!!!
- Easy Installation**
Smart design for easy installation and complete protection of sensor from tampering

SMART DESIGN of PulseCAP10



CAP10-H2.PNG

DAVITEQ TECHNOLOGIES INC

Ho Chi Minh City, VN | Koblenz, DE | Melbourne, AU | Zurich, CH

+84.28.6268.2523 / 6268.2524

info@daviteq.com

www.iot.daviteq.com

Created date: Dec-21-2022


Updated date: Oct-10-2024


1/4


Specification

Sensor length	standard 700mm, 1000mm, optional 1200. Field cuttable down to 200mm. Longer than 1500mm, suggest to use Industrial type sensor CAP10CN
Output	Analog (1~5VDC), RS232 (S2 protocol), PWM
Power supply	8~50VDC
Consumption	max 15mA
Working pressure	-1~2 barg
Working temperature	-20~85°C
Accuracy	±0.5% of span (at 25°C)
Temperature drift	< + 0.03% of span per 10°C
Resolution	1‰ of span
Sensor materials	Alloy & Engineering plastic
Electrical connection	3-way connector IP67 from MOLEX with 7m shielded cable as standard
Housing	Cast aluminium, IP67 protection
Process connection	Plastic flange
Standard accessories	flange, o-ring, gasket, protection covers, self-tapping screws, twisted seal, fuse & fuse holder
Certification	CE-Marking per EN61236-1 (with test report)

DAVITEQ TECHNOLOGIES INC

 Ho Chi Minh City, VN | Koblenz, DE | Melbourne, AU | Zurich, CH

 +84.28.6268.2523 / 6268.2524

 info@daviteq.com

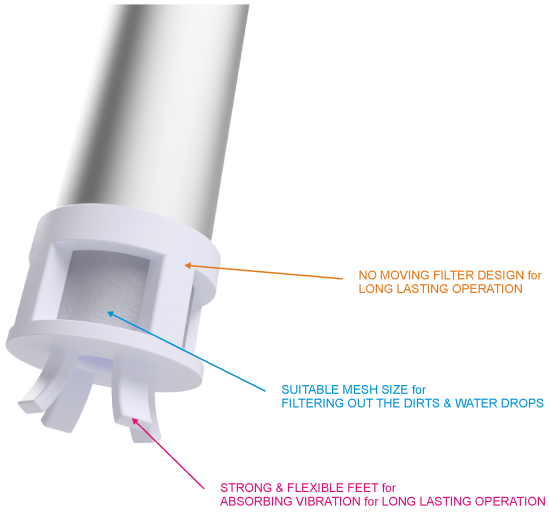
www.iot.daviteq.com

Created date: Dec-21-2022

Updated date: Oct-10-2024

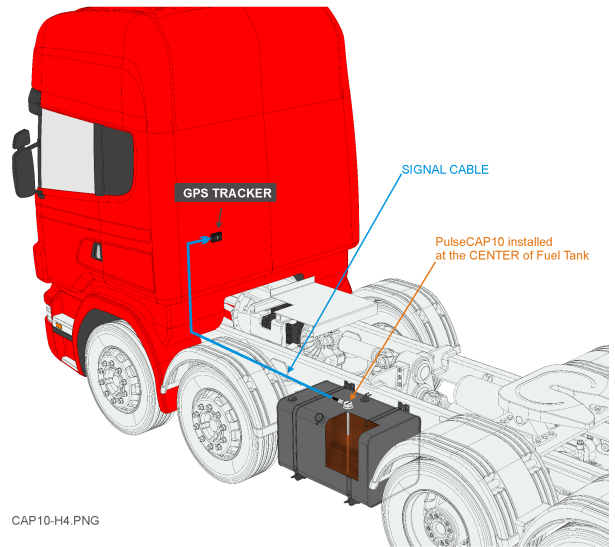
2/4

SMART FILTERED FOOTER for STABLE MEASURING



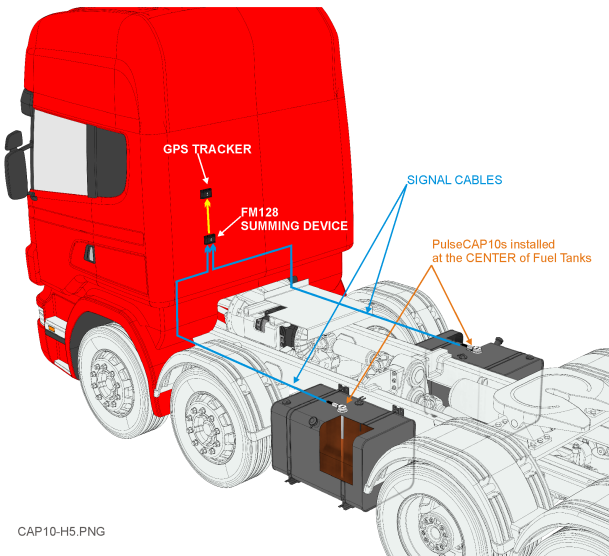
CAP10-H3.PNG

PulseCAP10 on ONE-TANK VEHICLE



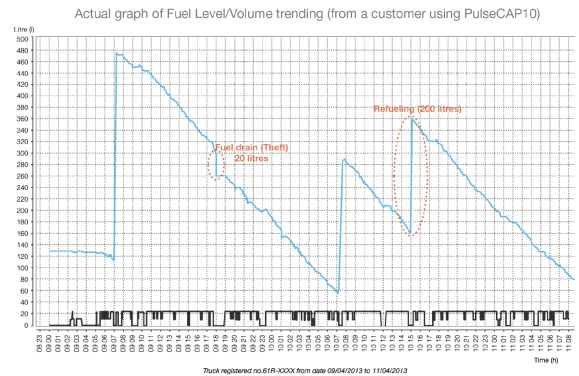
CAP10-H4.PNG

PulseCAP10 on TWO-TANK VEHICLE



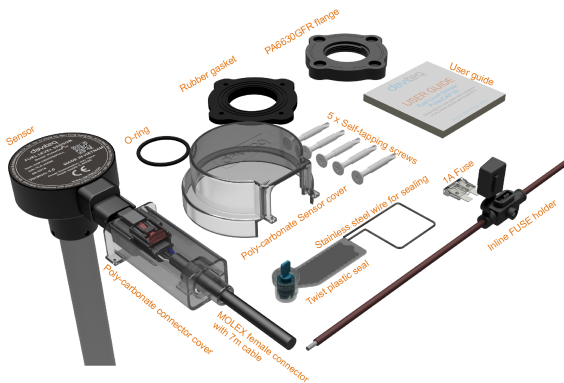
CAP10-H5.PNG

PulseCAP10 - FUEL TANK VOLUME TRENDING
ACTUAL TRENDING FROM REAL TRUCK



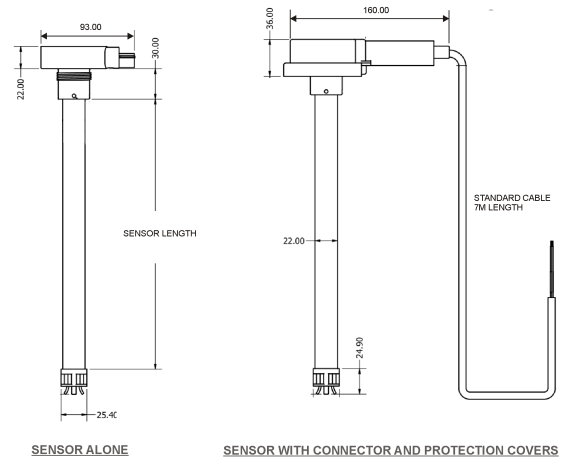
CAP10-H6.PNG

PulseCAP10 Package includes



CAP10-H8.PNG

PulseCAP10 DIMENSION DRAWINGS



CAP10-H9.PNG


DAVITEQ TECHNOLOGIES INC


Ordering Information

ITEM CODE	DESCRIPTIONS
CAP10A0700FULL	Fuel level sensor PulseCAP10, 3-way connector, factory calibrated by standard Diesel, L = 700mm, Output 1~5VDC, with accessories and 7m cable, for transportation
CAP10A1000FULL	Fuel level sensor PulseCAP10, 3-way connector, factory calibrated by standard Diesel, L = 1000mm, Output 1~5VDC, with accessories and 7m cable, for transportation
CAP10A1200FULL	Fuel level sensor PulseCAP10, 3-way connector, factory calibrated by standard Diesel, L = 1200mm, Output 1~5VDC, with accessories and 7m cable, for transportation
CAP10S20700FULL	Fuel level sensor PulseCAP10, 3-way connector, factory calibrated by standard Diesel, L = 700mm, Output Serial S2, with accessories and 7m cable, for transportation
CAP10S21000FULL	Fuel level sensor PulseCAP10, 3-way connector, factory calibrated by standard Diesel, L = 1000mm, Output Serial S2, with accessories and 7m cable, for transportation
CAP10S21200FULL	Fuel level sensor PulseCAP10, 3-way connector, factory calibrated by standard Diesel, L = 1200mm, Output Serial S2, with accessories and 7m cable, for transportation
ACCESSORIES	undefined
CAP10V3CABLE7M	7m shielded signal cable with 3-way Molex connector, for CAP10 Version 3.X and later
CAP10V3CABLE14M	14m shielded signal cable with 3-way Molex connector, for CAP10 Version 3.X and later
CAP10V3CABLE21M	21m shielded signal cable with 3-way Molex connector, for CAP10 Version 3.X and later
CAP10PROTECTSET	CAP10 protection cover set
CAP10PARTSKIT	CAP10 parts kit
CAP10INSUFLANGE	CAP10 plastic flange
CAP10HOUSCOVER	CAP10 housing protection cover
CAP10CNTCOVER	CAP10 connector protection cover
CAP10FOOTER-001	CAP10 filtered footer
CM-CAP10LOWERGASKET2	CAP10 rubber gasket
CAP10BLINDCAP	CAP10 blind cap

DAVITEQ TECHNOLOGIES INC

 Ho Chi Minh City, VN | Koblenz, DE | Melbourne, AU | Zurich, CH

 +84.28.6268.2523 / 6268.2524

 info@daviteq.com

www.iot.daviteq.com

Created date: Dec-21-2022

Updated date: Oct-10-2024

4/4