

LoRaWAN Outdoor Gateway



Smart City, Smart Agriculture, Smart Facility, Smart Factory, Smart Utility, Smart Energy, Smart Logistic

SKU: GWLRW

OUTDOOR LoRaWAN GATEWAY GWLRW

LoRaWAN



GWLRW-H1.JPG

Safe Zone

Hazardous Zones

Introducing the GWLRW, the world's best outdoor LoRaWAN® Gateway designed for Smart Cities, Smart Factories, Smart Agriculture, Smart Buildings, and Smart Residential Areas. Supporting up to 8 simultaneous connection channels, it efficiently receives a large volume of packets from surrounding LoRaWAN sensors with a range of up to 10km, depending on the environment and sensor types. The GWLRW offers versatile communication options including Ethernet, LTE, and WiFi, and supports LoRa frequencies of 863~870MHz and 902~928MHz. It features VPN support for remote diagnostics and configuration, reducing costs and saving time. Its low-power design allows for use with solar panels and battery packs, making it ideal for rural projects or areas without grid power. This gateway is perfect for applications such as water, electricity, and gas meter reading, environmental monitoring, and smart farming.

Applications

Condition Based Monitoring, Energy Monitoring, Facility Monitoring, Fuel Monitoring, Gas Leakage Detection, Machine Health Monitoring, Production Monitoring, Temperature Monitoring, Vibration Monitoring, Warehouse Monitoring, Water Meter Reading

Notes For Applications

- Connect to any LoRaWAN sensors**
Compliance to LoRaWAN 1.0.3
- Easy remote diagnostic and configuration**
VPN connections allow remote diagnostic and configuration
- Support all Network Server Software**
Support Packet Forward/ Basic Station Mode. Support Spectral Scan & Listen Before Talk (LBT)
- For Outdoor Installation**
IP67 Rating with Cast Aluminum housing

OUTDOOR INSTALLATION FOR SMART CITY APPLICATIONS



GWLRW-H2.JPG

DAVITEQ TECHNOLOGIES INC

Ho Chi Minh City, VN | Koblenz, DE | Melbourne, AU | Zurich, CH

+84.28.6268.2523 / 6268.2524

info@daviteq.com

www.iot.daviteq.com

Created date: Jul-03-2024


Updated date: Nov-21-2024


1/4


Specification

LoRaWAN Specification	LoRaWAN 1.0.3
Frequency Band	Select 863~870MHz or 902~928MHz
Number of Channels	Up to 8 concurrent channels for LoRa transmission
LoRa Transmit Power	0.5W (up to 27 dBm)
LoRa Receive Sensitivity	Down to -139dBm@SF12, BW 125 kHz.
LoRa Software	Standard and LRR Actility
Advanced features	VPN connection, Low-power design
COMMUNICATION	
Standard communication	Ethernet 100Mbps, via outdoor RJ45 connector
Optional 4G LTE	LTE Cat 4, supports multi-region and global bands as below
	Frequency Bands for AU: LTE-FDD (B1/2/3/4/5/7/8/28) LTE-TDD (B40)
	Frequency Bands for EU: LTE-FDD (B1/3/7/8/20/28A) LTE-TDD (B38/40/41)
	Frequency Bands for A: LTE-FDD (B2/4/12)
	Frequency Bands for Global: LTE-FDD (B1/2/3/4/5/7/8/12/13/18/19/20/25/26/28) LTE-TDD (B38/39/40/41)
Optional GPS	GPS + GLONASS
Antenna Type	1 x external LoRa antenna, 1 x External antenna for LTE
Housing	Cast Aluminum, IP66, can withstand Wind speeds up to 160 Km/h
Dimensions	L:173 x W:70 x H:378mm
Weight	< 2.0kg

DAVITEQ TECHNOLOGIES INC

 Ho Chi Minh City, VN | Koblenz, DE | Melbourne, AU | Zurich, CH

 +84.28.6268.2523 / 6268.2524

 info@daviteq.com

www.iot.daviteq.com

Created date: Jul-03-2024

Updated date: Nov-21-2024

2/4

OUTDOOR INSTALLATION WITH 120AH BATTERY PACK AND 18V/150W SOLAR PANEL



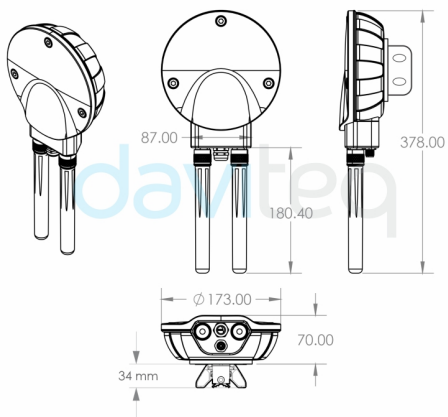
GWLRW-H3.JPG

PRODUCT PACKAGE



GWLRW-H5.JPG

DIMENSION DRAWING OF WSPLR



GWLRW-H4.JPG

DAVITEQ TECHNOLOGIES INC

Ho Chi Minh City, VN | Koblenz, DE | Melbourne, AU | Zurich, CH

+84.28.6268.2523 / 6268.2524

info@daviteq.com

www.iot.daviteq.com


Created date: Jul-03-2024


Updated date: Nov-21-2024

Ordering Information

ITEM CODE	DESCRIPTION
GWLRW-9	LoRaWAN Gateway, outdoor IP67, Frequency 9XXMHz, Ethernet Connection, 8-18VDC Supply
GWLRW-8	LoRaWAN Gateway, outdoor IP67, Frequency 8XXMHz, Ethernet Connection, 8-18VDC Supply
4GMODULE-EU	4G module for EMEA and Thailand, included external antenna, IP67
4GMODULE-AU	4G module for Latin America, Australia and New Zealand, included external antenna, IP67
4GMODULE-A	4G module for North America, included external antenna, IP67
4GMODULE-GLB	4G module Global bands, included external antenna, IP67
WSPPW-BAT-12-120AH-LRW-01	Outdoor Battery Pack 120AH, 12.8V, 18V Input, IP67

DAVITEQ TECHNOLOGIES INC

 Ho Chi Minh City, VN | Koblenz, DE | Melbourne, AU | Zurich, CH

 +84.28.6268.2523 / 6268.2524

 info@daviteq.com

www.iot.daviteq.com

Created date: Jul-03-2024

Updated date: Nov-21-2024

4/4