

LoRaWAN Exd Design Gateway



Smart Facility, Smart Factory, Smart Utility, Smart Energy

SKU: GWLRWEX



○ Safe Zone

○ Hazardous Zones

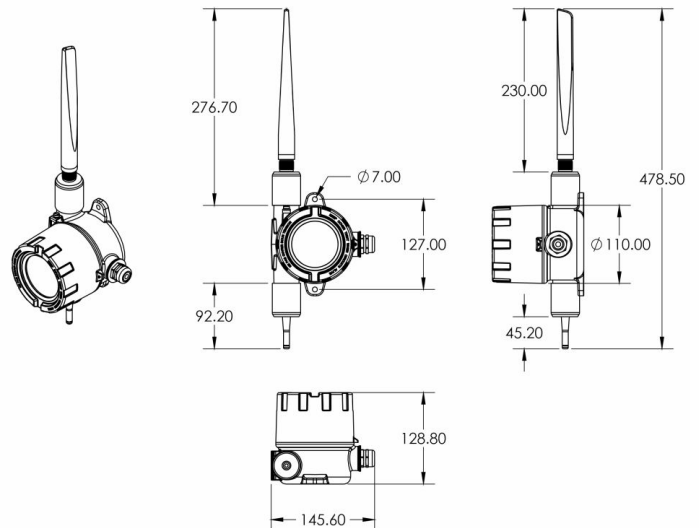
The GWLRWEX is an Exd certified LoRaWAN® gateway designed for Oil & Gas, Petrochemical, and Energy industries. It supports up to 8 channels, handling high volumes of sensor data over ranges up to 10 km. With flexible connectivity options like Ethernet and LTE, and LoRa frequencies of 863~870MHz and 902~928MHz, it ensures seamless operation. Featuring built-in Network Server and Node-RED, it integrates directly with PLC, SCADA, or DCS systems. Its low-power design allows solar or battery operation, making it ideal for remote applications like wellhead monitoring, gas metering, and refinery facilities.

Applications

Condition Based Monitoring, Energy Monitoring, Facility Monitoring, Gas Leakage Detection, Machine Health Monitoring, Production Monitoring, Temperature Monitoring, Vibration Monitoring

Notes For Applications

- ✓ **Connect to any LoRaWAN sensors**
Compliance to LoRaWAN 1.0.3
- ✓ **Direct connection to PLC/SCADA/DCS**
By built-in advanced software like LNS, Node-red, OpenVPN...
- ✓ **Support all Network Server Software**
Actility, TTN, Chirpstack, Lorient...
- ✓ **For Hazardous Zone 1 and 2**
IP67 Ex d approved ATEX and IECEx



DAVITEQ TECHNOLOGIES INC

Ho Chi Minh City, VN | Koblenz, DE | Melbourne, AU | Zurich, CH

+84.28.6268.2523 / 6268.2524

info@daviteq.com

www.iot.daviteq.com

Created date: Dec-19-2024

Updated date: Apr-21-2025

Specification

LoRaWAN Specification	LoRaWAN 1.0.3, support for LoRaWAN Class A, Class C protocols
Frequency Band	Select 863~870MHz or 902~928MHz
Number of Channels	Up to 8 concurrent channels for LoRa transmission
LoRa Transmit Power	0.5W (up to 27 dBm)
LoRa Receive Sensitivity	Down to -139dBm@SF12, BW 125 kHz.
Features	Dynamic data-rate adaptation (ADR)
Software	LoRa Package forwarder, Chirpstack, OpenVPN, Node-red, SSH root access

COMMUNICATION

Standard communication	Ethernet 100Mbps, via outdoor RJ45 connector
Optional 4G LTE	LTE Cat 4, Global bands
	LTE FDD: B1, B2, B3, B4, B5, B7, B8, B12, B13, B18, B19, B20, B25, B26, B28
	LTE TDD: B38, B39, B40, B41
	UMTS: B1, B2, B4, B5, B6, B8, B19
	GSM: B2, B3, B5, B8
Antenna Type	1 x external LoRa antenna via N-type connector, 1 x External antenna for LTE via SMA connector
Housing	Aluminum alloy, powder coated, IP67, Wall mount installation
Certified Ex d	FTZU 03 ATEX 0207U, TÜV CY 18 ATEX 0206158 X, and IECEx FTZU 12.0017U, IECEx MSC 19.0001X
Hazard Protection Label	ATEX II 2G Ex db IIC T5/T6 Gb and ATEX II 2D Ex tb IIIC T100/T85°C Db
Standard	IEC-EN60079-0 IEC-EN60079-1 IEC-EN60079-31
Areas of application	Zones 1 & 2 gas hazardous areas, Zones 21 & 22 hazardous areas containing flammable dust
Working temperature	-40 ~ 85°C
Size Net weight	H202xW126xD128 (not including antenna)/ ≈1500g

DAVITEQ TECHNOLOGIES INC

📍 Ho Chi Minh City, VN | Koblenz, DE | Melbourne, AU | Zurich, CH

☎️ +84.28.6268.2523 / 6268.2524

✉️ info@daviteq.com

www.iot.daviteq.com


Created date: Dec-19-2024


Updated date: Apr-21-2025


Ordering Information

ITEM CODE	DESCRIPTION
GWLRWEX-9	LoRaWAN Exd Approved Gateway, IP67, Frequency 9XXMHz, Ethernet Connection
GWLRWEX-9-EG25-G	LoRaWAN Exd Approved Gateway, IP67, Frequency 9XXMHz, Ethernet Connection, LTE Cat 4 Global bands Connectivity
GWLRWEX-8	LoRaWAN Exd Approved Gateway, IP67, Frequency 8XXMHz, Ethernet Connection
GWLRWEX-8-EG25-G	LoRaWAN Exd Approved Gateway, IP67, Frequency 8XXMHz, Ethernet Connection, LTE Cat 4 Global bands Connectivity

DAVITEQ TECHNOLOGIES INC

 Ho Chi Minh City, VN | Koblenz, DE | Melbourne, AU | Zurich, CH

 +84.28.6268.2523 / 6268.2524

 info@daviteq.com

www.iot.daviteq.com

Created date: Dec-19-2024

Updated date: Apr-21-2025