

# LoRaWAN Exd Design Gateway



Smart Facility, Smart Factory, Smart Utility, Smart Energy

SKU: GWLRWEX



○ Safe Zone

○ Hazardous Zones

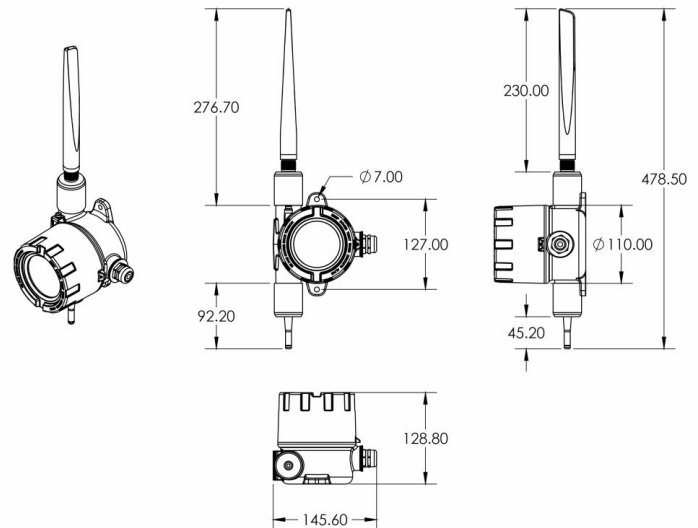
The GWLRWEX is an Exd certified LoRaWAN® gateway designed for Oil & Gas, Petrochemical, and Energy industries. It supports up to 8 channels, handling high volumes of sensor data over ranges up to 10 km. With flexible connectivity options like Ethernet and LTE, and LoRa frequencies of 863~870MHz and 902~928MHz, it ensures seamless operation. Featuring built-in Network Server and Node-RED, it integrates directly with PLC, SCADA, or DCS systems. Its low-power design allows solar or battery operation, making it ideal for remote applications like wellhead monitoring, gas metering, and refinery facilities.

## Applications

Condition Based Monitoring, Energy Monitoring, Facility Monitoring, Gas Leakage Detection, Machine Health Monitoring, Production Monitoring, Temperature Monitoring, Vibration Monitoring

## Notes For Applications

- ✓ **Connect to any LoRaWAN sensors**  
Compliance to LoRaWAN 1.0.3
- ✓ **Direct connection to PLC/SCADA/DCS**  
By built-in advanced software like LNS, Node-red, OpenVPN...
- ✓ **Support all Network Server Software**  
Actility, TTN, Chirpstack, Lorient...
- ✓ **For Hazardous Zone 1 and 2**  
IP67 Ex d approved ATEX and IECEx



## DAVITEQ TECHNOLOGIES INC

Ho Chi Minh City, VN | Koblenz, DE | Melbourne, AU | Zurich, CH

+84.28.6268.2523 / 6268.2524

info@daviteq.com

www.iot.daviteq.com

Created date: Dec-19-2024

Updated date: Dec-19-2024

1/3

## Specification

LoRaWAN Specification	LoRaWAN 1.0.3, support for LoRaWAN Class A, Class C protocols
Frequency Band	Select 863~870MHz or 902~928MHz
Number of Channels	Up to 8 concurrent channels for LoRa transmission
LoRa Transmit Power	0.5W (up to 27 dBm)
LoRa Receive Sensitivity	Down to -139dBm@SF12, BW 125 kHz.
Features	Dynamic data-rate adaptation (ADR)
Software	LoRa Package forwarder, Chirpstack, OpenVPN, Node-red, SSH root access

### COMMUNICATION

Standard communication	Ethernet 100Mbps, via outdoor RJ45 connector
Optional 4G LTE	LTE Cat 4, Global bands
	LTE FDD: B1/B2/B3/B4/B5/B7/B8/B12/B13/B18/B19/B20/B25/B26/B28
	LTE TDD: B38/B39/B40/B41
	UMTS: B1/B2/B4/B5/B6/B8/B19
	GSM: B2/B3/B5/B8
Antenna Type	1 x external LoRa antenna via N-type connector, 1 x External antenna for LTE via SMA connector
Housing	Aluminum alloy, powder coated, IP67, Wall mount installation
Certified Ex d	FTZU 03 ATEX 0207U, TÜV CY 18 ATEX 0206158 X, and IECEx FTZU 12.0017U, IECEx MSC 19.0001X
Hazard Protection Label	ATEX II 2G Ex db IIC T5/T6 Gb and ATEX II 2D Ex tb IIIC T100/T85°C Db
Standard	IEC-EN60079-0 IEC-EN60079-1 IEC-EN60079-31
Areas of application	Zones 1 & 2 gas hazardous areas, Zones 21 & 22 hazardous areas containing flammable dust
Working temperature	-40 ~ 85°C
Size   Net weight	H202xW126xD128 (not including antenna)/ ≈1500g

### DAVITEQ TECHNOLOGIES INC

📍 Ho Chi Minh City, VN | Koblenz, DE | Melbourne, AU | Zurich, CH

☎️ +84.28.6268.2523 / 6268.2524

✉️ info@daviteq.com

www.iot.daviteq.com

Created date: Dec-19-2024


Updated date: Dec-19-2024


2/3


## Ordering Information

ITEM CODE	DESCRIPTION
GWLRWEX-9	LoRaWAN Exd Approved Gateway, IP67, Frequency 9XXMHz, Ethernet Connection
GWLRWEX-9-EG25-G	LoRaWAN Exd Approved Gateway, IP67, Frequency 9XXMHz, Ethernet Connection, LTE Cat 4 Global bands Connectivity
GWLRWEX-8	LoRaWAN Exd Approved Gateway, IP67, Frequency 8XXMHz, Ethernet Connection
GWLRWEX-8-EG25-G	LoRaWAN Exd Approved Gateway, IP67, Frequency 8XXMHz, Ethernet Connection, LTE Cat 4 Global bands Connectivity

### DAVITEQ TECHNOLOGIES INC

 Ho Chi Minh City, VN | Koblenz, DE | Melbourne, AU | Zurich, CH

 +84.28.6268.2523 / 6268.2524

 info@daviteq.com

[www.iot.daviteq.com](http://www.iot.daviteq.com)

Created date: Dec-19-2024

Updated date: Dec-19-2024

3/3