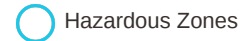


PineX Outdoor LoRaWAN Gateway



Smart City, Smart Agriculture, Smart Facility, Smart Factory, Smart Utility, Smart Energy, Smart Logistic

SKU: PINEX



PINEX LORAWAN OUTDOOR GATEWAY



PineX is an industrial-grade outdoor LoRaWAN® Gateway, designed to operate reliably in the harshest environments—from scorching deserts to freezing Arctic conditions, and even hurricane-force winds up to 200 km/h. With IP67-rated waterproof and dustproof protection, an extended temperature range of -40°C to +70°C, and Dual LoRa Antennas for extended coverage, PineX ensures uninterrupted, long-range connectivity even in extreme weather conditions. Supporting all global LoRaWAN frequency bands, PineX integrates a built-in Network Server, Node-RED, and VPN security, enabling fast, cost-efficient, and secure IoT deployments. Its integrated 4G Router with PoE (802.3at) support allows for seamless Internet access and power supply for IP cameras, sensors, and other connected devices. Designed for Smart Cities, Industrial Facilities, Smart Agriculture, and remote IoT applications, PineX is the ultimate rugged, high-performance LoRaWAN Gateway for mission-critical operations.

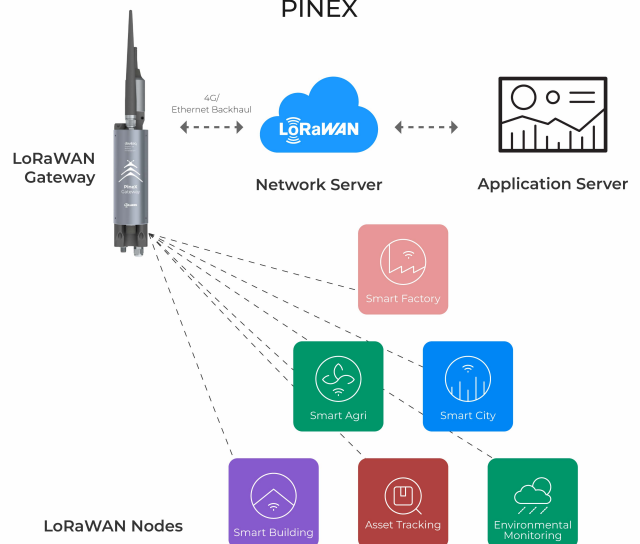
Applications

Condition Based Monitoring, Energy Monitoring, Facility Monitoring, Fuel Monitoring, Gas Leakage Detection, Machine Health Monitoring, Production Monitoring, Temperature Monitoring, Vibration Monitoring, Warehouse Monitoring, Water Meter Reading

Notes For Applications

- ✓ **Connect to any LoRaWAN sensors**
Compliance to LoRaWAN 1.0.3
- ✓ **Versatile built-in functions**
VPN function for remote support, built-in Network Server and Node-RED for simplified setup and reduced cost, 4G router & POE source for another device
- ✓ **Rugged design for extreme working environment**
Anodized aluminum durable compact housing for extreme working condition such as 200 km/h wind speed, -40 to 70 oC, chemical gas and salty environment
- ✓ **Multi-option for various applications**
Cellular/Wifi connection, dual/single standard/SMA antenna, GPS/no GPS, Ethernet port with/without POE source

PINEX LORAWAN OUTDOOR GATEWAY



SYSTEM ARCHITECTURE

DAVITEQ TECHNOLOGIES INC

Ho Chi Minh City, VN | Koblenz, DE | Melbourne, AU | Zurich, CH

+84.28.6268.2523 / 6268.2524

info@daviteq.com

www.iot.daviteq.com

Created date: Feb-25-2025

Updated date: May-30-2026


Specification


LoRaWAN Specification	LoRaWAN 1.0.3
Frequency Band	Select 863~870MHz or 902~928MHz
Number of Channels	Up to 8 concurrent channels for LoRa transmission
LoRa Transmit Power	0.5W (up to 27 dBm)
LoRa Receive Sensitivity	Down to -139dBm@SF12, BW 125 kHz.
LoRa Software	Package Forwarder
Advanced Software features	OpenVPN, built-in LoRaWAN Network Server & Node-RED, Cellular Internet Routing function, low-power, robust, aesthetic design


COMMUNICATION

Standard Host Communication	Ethernet 100Mbps, via outdoor RJ45 connector
Optional External Cellular Module	LTE Cat 4, supports multi-region and global bands as below
	Frequency Bands for AU: LTE-FDD (B1/2/3/4/5/7/8/28) LTE-TDD (B40)
	Frequency Bands for EU: LTE-FDD (B1/3/7/8/20/28A) LTE-TDD (B38/40/41)
	Frequency Bands for A: LTE-FDD (B2/4/12)
	Frequency Bands for Global: LTE-FDD (B1/2/3/4/5/7/8/12/13/18/19/20/25/26/28) LTE-TDD (B38/39/40/41)
Optional GPS	GPS + GLONASS
Antenna Type	Single/Dual LoRa antenna, optional 4G LTE internal/external antenna
Power supply	12-24VDC via M12 port
Ethernet port	support PoE+ source 802.3at
Housing	Anodized Aluminum, IP67, can withstand Wind speeds up to 200 Km/h
Working temperature	-40 to 70 oC
Dimensions	Diameter of 70 mm, H:500 mm (include antenna)
Weight	< 2.0kg

DAVITEQ TECHNOLOGIES INC

 Ho Chi Minh City, VN | Koblenz, DE | Melbourne, AU | Zurich, CH

 +84.28.6268.2523 / 6268.2524

 info@daviteq.com

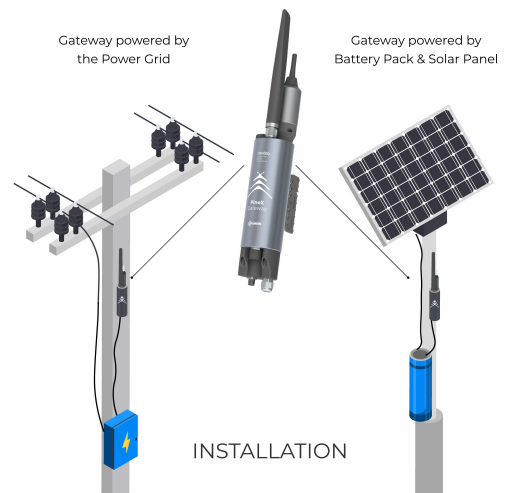
www.iot.daviteq.com

Created date: Feb-25-2025

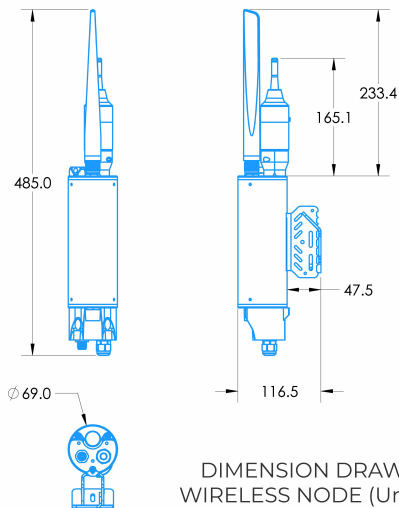
Updated date: May-30-2026



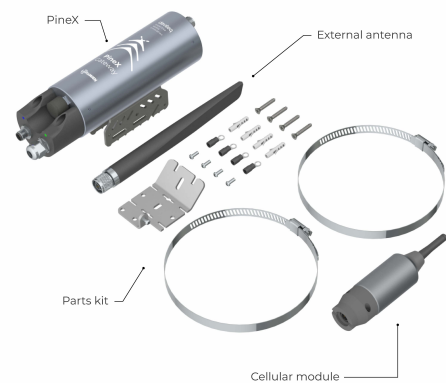
PINEX LORAWAN OUTDOOR GATEWAY
PINEX



PINEX LORAWAN OUTDOOR GATEWAY
PINEX



PINEX LORAWAN OUTDOOR GATEWAY
PINEX





DAVITEQ TECHNOLOGIES INC


Ordering Information

ITEM CODE	DESCRIPTION
PINEX-8-DUAL	PINEX LORAWAN OUTDOOR GATEWAY, ETHERNET, 12VDC, IP67, LNS, ROUTER, NODE-RED, 8XX MHZ, DUAL ANTENNA
PINEX-8-DUAL-POE	PINEX LORAWAN OUTDOOR GATEWAY, ETHERNET, 12VDC, IP67, LNS, ROUTER, NODE-RED, 8XX MHZ, DUAL ANTENNA, ETHERNET PORT W/ POE
PINEX-8-GPS-DUAL	PINEX LORAWAN OUTDOOR GATEWAY, ETHERNET, 12VDC, IP67, LNS, ROUTER, NODE-RED, 8XX MHZ, GPS, DUAL ANTENNA
PINEX-8-GPS-DUAL-POE	PINEX LORAWAN OUTDOOR GATEWAY, ETHERNET, 12VDC, IP67, LNS, ROUTER, NODE-RED, 8XX MHZ, GPS, DUAL ANTENNA, ETHERNET PORT W/ POE
PINEX-8-GPS-SINGLE	PINEX LORAWAN OUTDOOR GATEWAY, ETHERNET, 12VDC, IP67, LNS, ROUTER, NODE-RED, 8XX MHZ, GPS, SINGLE ANTENNA
PINEX-8-GPS-SINGLE-POE	PINEX LORAWAN OUTDOOR GATEWAY, ETHERNET, 12VDC, IP67, LNS, ROUTER, NODE-RED, 8XX MHZ, GPS, SINGLE ANTENNA, ETHERNET PORT W/ POE
PINEX-8-SINGLE	PINEX LORAWAN OUTDOOR GATEWAY, ETHERNET, 12VDC, IP67, LNS, ROUTER, NODE-RED, 8XX MHZ, SINGLE ANTENNA
PINEX-8-SINGLE-POE	PINEX LORAWAN OUTDOOR GATEWAY, ETHERNET, 12VDC, IP67, LNS, ROUTER, NODE-RED, 8XX MHZ, SINGLE ANTENNA, ETHERNET PORT W/ POE
PINEX-9-DUAL	PINEX LORAWAN OUTDOOR GATEWAY, ETHERNET, 12VDC, IP67, LNS, ROUTER, NODE-RED, 9XX MHZ, DUAL ANTENNA
PINEX-9-DUAL-POE	PINEX LORAWAN OUTDOOR GATEWAY, ETHERNET, 12VDC, IP67, LNS, ROUTER, NODE-RED, 9XX MHZ, DUAL ANTENNA, ETHERNET PORT W/ POE
PINEX-9-GPS-DUAL	PINEX LORAWAN OUTDOOR GATEWAY, ETHERNET, 12VDC, IP67, LNS, ROUTER, NODE-RED, 9XX MHZ, GPS, DUAL ANTENNA
PINEX-9-GPS-DUAL-POE	PINEX LORAWAN OUTDOOR GATEWAY, ETHERNET, 12VDC, IP67, LNS, ROUTER, NODE-RED, 9XX MHZ, GPS, DUAL ANTENNA, ETHERNET PORT W/ POE
PINEX-9-GPS-SINGLE	PINEX LORAWAN OUTDOOR GATEWAY, ETHERNET, 12VDC, IP67, LNS, ROUTER, NODE-RED, 9XX MHZ, GPS, SINGLE ANTENNA
PINEX-9-GPS-SINGLE-POE	PINEX LORAWAN OUTDOOR GATEWAY, ETHERNET, 12VDC, IP67, LNS, ROUTER, NODE-RED, 9XX MHZ, GPS, SINGLE ANTENNA, ETHERNET PORT W/ POE
PINEX-9-SINGLE	PINEX LORAWAN OUTDOOR GATEWAY, ETHERNET, 12VDC, IP67, LNS, ROUTER, NODE-RED, 9XX MHZ, SINGLE ANTENNA
PINEX-9-SINGLE-POE	PINEX LORAWAN OUTDOOR GATEWAY, ETHERNET, 12VDC, IP67, LNS, ROUTER, NODE-RED, 9XX MHZ, SINGLE ANTENNA, ETHERNET PORT W/ POE
PINEX-E8-DUAL	PINEX LORAWAN OUTDOOR GATEWAY, ETHERNET, 12VDC, IP67, LNS, ROUTER, NODE-RED, 8XX MHZ, DUAL SMA ANTENNA
PINEX-E8-SINGLE	PINEX LORAWAN OUTDOOR GATEWAY, ETHERNET, 12VDC, IP67, LNS, ROUTER, NODE-RED, 8XX MHZ, SINGLE SMA ANTENNA
PINEX-E8-SINGLE-WF	PINEX LORAWAN OUTDOOR GATEWAY, ETHERNET, 12VDC, IP67, LNS, ROUTER, NODE-RED, 8XX MHZ, SINGLE SMA ANTENNA, ETHERNET WITH WIFI
PINEX-E9-DUAL	PINEX LORAWAN OUTDOOR GATEWAY, ETHERNET, 12VDC, IP67, LNS, ROUTER, NODE-RED, 9XX MHZ, DUAL SMA ANTENNA
PINEX-E9-SINGLE	PINEX LORAWAN OUTDOOR GATEWAY, ETHERNET, 12VDC, IP67, LNS, ROUTER, NODE-RED, 9XX MHZ, SINGLE SMA ANTENNA
PINEX-E9-SINGLE-WF	PINEX LORAWAN OUTDOOR GATEWAY, ETHERNET, 12VDC, IP67, LNS, ROUTER, NODE-RED, 9XX MHZ, SINGLE SMA ANTENNA, ETHERNET WITH WIFI

DAVITEQ TECHNOLOGIES INC

 Ho Chi Minh City, VN | Koblenz, DE | Melbourne, AU | Zurich, CH

 +84.28.6268.2523 / 6268.2524

 info@daviteq.com

www.iot.daviteq.com

Created date: Feb-25-2025

Updated date: May-30-2026