

Long Range Wireless Bridges



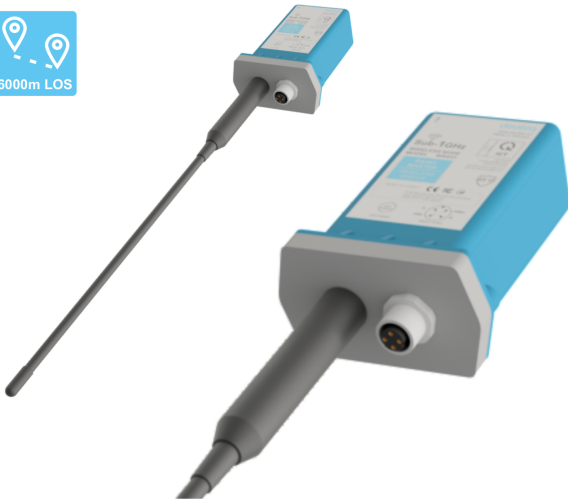
Smart Agriculture, Smart Building, Smart City, Smart Energy, Smart Facility, Smart Factory, Smart Farm, Smart Healthcare, Smart Retail, Smart Transportation, Smart Utilities

SKU: WS433-BL

Safe Zone

Hazardous Zones

LONG RANGE WIRELESS BRIDGES WS433-BL



WS433-BL-H1.PNG



WS433-BL is a range of Sub-Ghz wireless bridges to replace the RS485 cable or network. This wireless technology will save time, labor cost & cable cost as well. LOS Distance is up to 6000m at baud rate 38400. Optional integrated IoT gateway (iConnector) allows easily configure & diagnose remotely or monitoring/ controls via any IoT Platform as well. The deployment of these wireless devices can be done in just 15 minutes!

Applications

RS485 Wireless Network

Notes For Applications

- ROBUST WIRELESS CONNECTION**
Sub-Ghz technology from Texas Instruments delivers a Robust Wireless connection with AES-128 Security
- 6000M LOS DISTANCE**
High performance engineered RF circuit to deliver the long range distance
- ANY PROTOCOL! NOT only MODBUS**
Transparent connection allows the network nodes can talk in any protocol
- SIMPLE CONFIGURATION**
Wireless Bridges are easily configured by an offline tool or remotely by online tool (Globiots)

SIMPLY REPLACE RS485 CABLE



WS433-BL-H2.PNG

Install in just 15 mins

DAVITEQ TECHNOLOGIES INC

Ho Chi Minh City, VN | Koblenz, DE | Melbourne, AU | Zurich, CH

+84.28.6268.2523 / 6268.2524

info@daviteq.com

www.iot.daviteq.com

Created date: Jul-03-2024


Updated date: Aug-28-2024


1/4


Specification

| | |
|-------------------------------------|---|
| COMMUNICATION | RS485, RS232 (optional) |
| Wireless data rate | 50kbps (support baud rate 38400) |
| Transmission distance | LOS 6000m @ 50 kpbs (lowest Antenna height is 4m) |
| Antenna | Standard external antenna -1.1 dBi for slave node, 3.0 dBi for master node (option 6 & 9 dBi) |
| Power supply | 7~48VDC @ 500mA max |
| Electrical connection | M12-female, 4-pin A-coding |
| RF frequency band | Free license ISM 433.92MHz (for others 868, 915, 920MHz, refer related datasheets) |
| Ready to comply | ETSI EN 300 220, EN 303 204 (Europe) FCC CFR47 Part15 (US), ARIB STD-T108 (Japan)** |
| Vietnam Type Approval Certification | QCVN 73:2013/BTTTT, QCVN 96:2015/BTTTT (DAVITEQ B00122019) |
| Data encryption | AES-128 |
| Ambient working temperature | -40~85°C |
| Housing | Aluminum + Polycarbonate, IP67 |
| Mounting | Wall mounting holes |
| Product dimensions | H106xW73xD42 (excluded antenna) |
| Net weight | 190g |
| Packaging dimension | W160 x D150 x H100 mm |
| Gross weight | < 300g |

DAVITEQ TECHNOLOGIES INC

 Ho Chi Minh City, VN | Koblenz, DE | Melbourne, AU | Zurich, CH

 +84.28.6268.2523 / 6268.2524

 info@daviteq.com

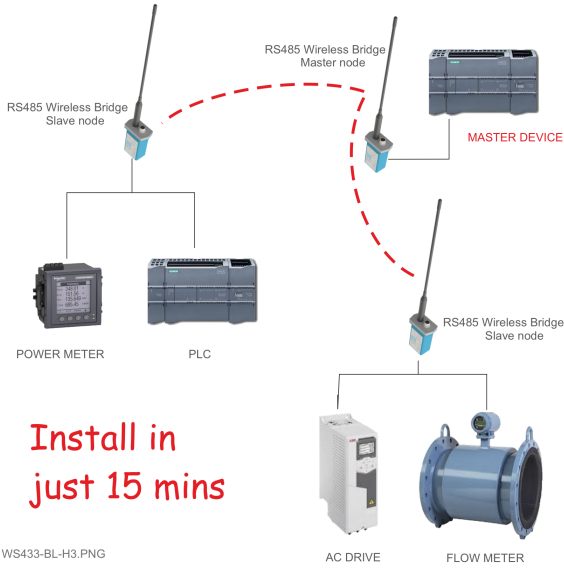
www.iot.daviteq.com

Created date: Jul-03-2024

Updated date: Aug-28-2024

2/4

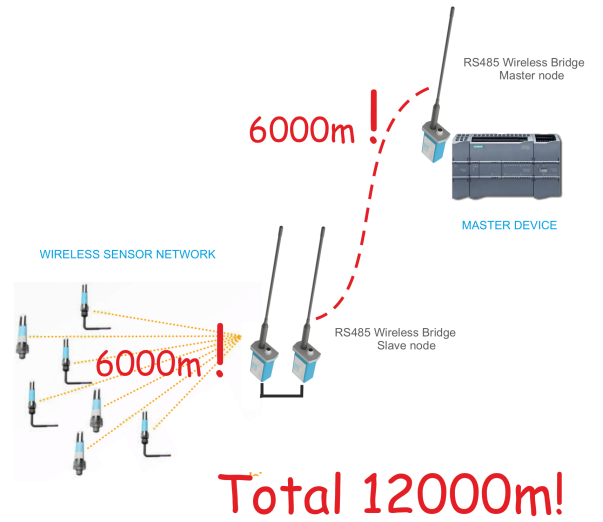
A WIRELESS RS485 NETWORK



WS433-BL-H3.PNG

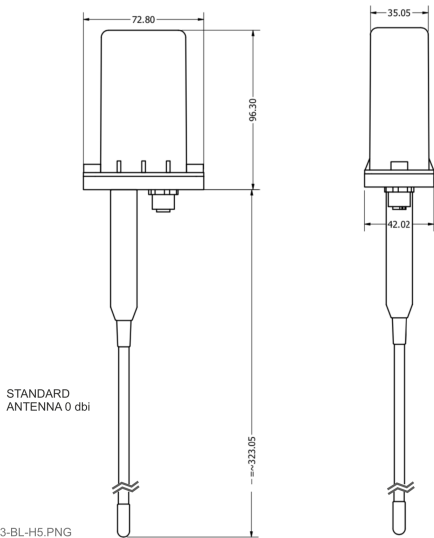
AC DRIVE FLOW METER

TO EXTEND WIRELESS SENSOR NETWORK



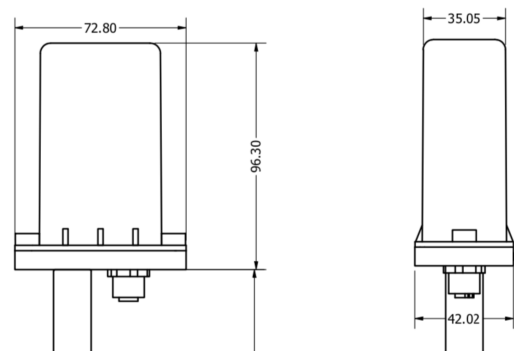
WS433-BL-H4.PNG

DIMENSION DRAWING WIRELESS BRIDGES MASTER & SLAVE



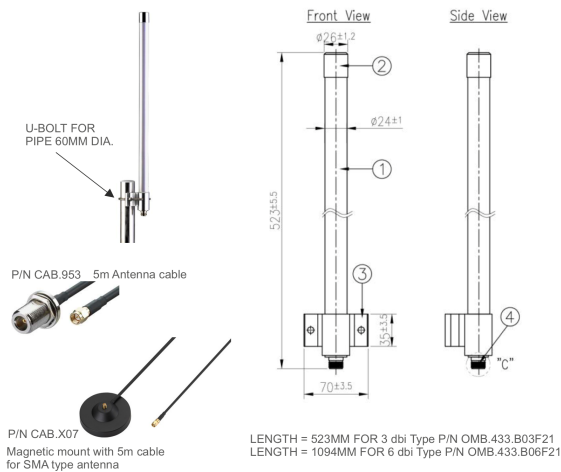
WS433-BL-H5.PNG

DIMENSION DRAWING WIRELESS BRIDGES MASTER & SLAVE



WS433-BL-H6.PNG

HIGH GAIN OMNI ANTENNA 3DBI & 6DBI



WS433-BL-H7.PNG

USB-RS485 CONFIGURATION CABLE



WS433-BL-H8.PNG

DAVITEQ TECHNOLOGIES INC

Ho Chi Minh City, VN | Koblenz, DE | Melbourne, AU | Zurich, CH

+84.28.6268.2523 / 6268.2524

info@daviteq.com

www.iot.daviteq.com

Created date: Jul-03-2024

Updated date: Aug-28-2024

Ordering Information

| ITEM CODES | DESCRIPTIONS |
|---|--|
| WS433-BL-RS485-M2 | Long Range Wireless Bridge, Master, RS485, external antenna 0 dbi, M12-Female connector, 4-pin, coding A |
| WS433-BL-RS485-S2 | Long Range Wireless Bridge, Slave, RS485, external antenna 0 dbi, M12-Female connector, 4-pin, coding A |
| WS433-BL-RS485-S1 | Compact Wireless Bridge, Slave, RS485, internal antenna, M12-Female connector, 4-pin, coding A |
| STHC-ISG02DB-WS433-BL-RS485-M2 | iConnector 3G Dual Band*, internal GSM antenna, RS485/ModbusRTU with built-in wireless co-ordinator, external antenna 0 dbi with M12-Female connector |
| STHC-ISG02-WS433-BL-RS485-M2 | iConnector 3G Penta Band*, internal GSM antenna, RS485/ModbusRTU with built-in wireless co-ordinator, external antenna 0 dbi with M12-Female connector |
| STHC-ISGWF-WS433-BL-RS485-M2 | iConnector WiFi*, internal WiFi antenna, RS485/ModbusRTU with built-in wireless co-ordinator, external antenna 0 dbi with M12-Female connector |
| **ACCESSORIES FOR CELLULAR IOT GATEWAY (ICONNECTOR)** | undefined |
| SIMMOBI-3G | Mobifone DATA sim card, with sms (receive only), sending sms is in additional cost (for Vietnam only) |
| SIMMOBI-10K-01Y | 12-month Data plan of Mobifone sim card, unlimited data, GPRS/EDGE/UMTS/HSPA (Vietnam only) |
| **OPTIONAL ANTENNA & ITS ACCESSORIES** | undefined |
| OMB.433.B03F21 | 433MHz 3dBi OMNI antenna, IP65, N-female, L=523mm, without Male-Male N-Adapter P/N 26-8009 and cable |
| OMB.433.B06F21 | 433MHz 6dBi OMNI antenna, IP65, N-female, L=1094mm, without Male-Male N-Adapter P/N 26-8009 and cable |
| CAB.953 | Low lost antenna cable, 5m, N-female and SMA-male (use for N-type antenna) |
| CAB.X07 | Magnetic mount with 5m cable with SMA-Female on the base and SMA-Male output (used to extend the 0 dbi antenna that comes with the bridge) |
| 26-8009 | Connector Adapt Plug-Plug N 50 Ohm, Male-to-Male N Type |
| **OTHER ACCESSORIES** | undefined |
| RS485-FM12-USB-1 | RS485/USB multi-purpose Configuration cable** with connector m12 male, female and flying leads, with Power adapter 12VDC/2.0A |
| 2M-MM12CAB4x0.25 | M12 4pin Male assembly connector with Soldering terminals and coding A and Control Cable Cu/PVC/OS/PVC 4x0.25mm ² , L=2m, RoHS, Shield 80% |
| 2M-FM12CAB4x0.25 | M12 4pin Female assembly connector with Soldering terminals and coding A and Control Cable Cu/PVC/OS/PVC 4x0.25mm ² , L=2m, RoHS, Shield 80% |
| 5M-MM12CAB4x0.25 | M12 4pin Male assembly connector with Soldering terminals and coding A and Control Cable Cu/PVC/OS/PVC 4x0.25mm ² , L=5m, RoHS, Shield 80% |
| 5M-FM12CAB4x0.25 | M12 4pin Female assembly connector with Soldering terminals and coding A and Control Cable Cu/PVC/OS/PVC 4x0.25mm ² , L=5m, RoHS, Shield 80% |
| 10M-MM12CAB4x0.25 | M12 4pin Male assembly connector with Soldering terminals and coding A and Control Cable Cu/PVC/OS/PVC 4x0.25mm ² , L=10m, RoHS, Shield 80% |
| 10M-FM12CAB4x0.25 | M12 4pin Female assembly connector with Soldering terminals and coding A and Control Cable Cu/PVC/OS/PVC 4x0.25mm ² , L=10m, RoHS, Shield 80% |
| Notes | * Refer datasheet of iConnector STHC to find more information |
| | ** Purchase M12 male or female cable to power and RS485 connecting for wireless co-ordinator |
| | *** Purchase configuration cable RS485-FM12-ISR-1 for off-line configuration of iConnector |

DAVITEQ TECHNOLOGIES INC

📍 Ho Chi Minh City, VN | Koblenz, DE | Melbourne, AU | Zurich, CH

☎️ +84.28.6268.2523 / 6268.2524

✉️ info@daviteq.com

www.iot.daviteq.com

Created date: Jul-03-2024

Updated date: Aug-28-2024

4/4