

# LoRaWAN AC Current Sensor



Smart Agriculture, Smart Building, Smart City, Smart Energy, Smart Facility, Smart Factory, Smart Farm, Smart Retail, Smart Utilities

SKU: WSLRW-AC

## SIGFOX AC CURRENT SENSOR WSSFC-AC



WSSFC-AC-H1.JPG



Safe Zone

Hazardous Zones

WSLRW-AC is a LoRaWAN sensor with 1-channel or 3-channel AC current input 5A to measure the AC current load of your motors, machines...to count the energy consumption, OVER-load or NO-load detection, run hour counting... With Ultra-low power design and smart firmware allow the complete Wireless and Sensor package run on 2 x AA battery up to 10 years. It supports all regions of LoRaWAN frequency bands in over the World. Typical applications: Monitoring energy consumption, monitoring power supply, monitoring machine health, monitoring machine uptime,...

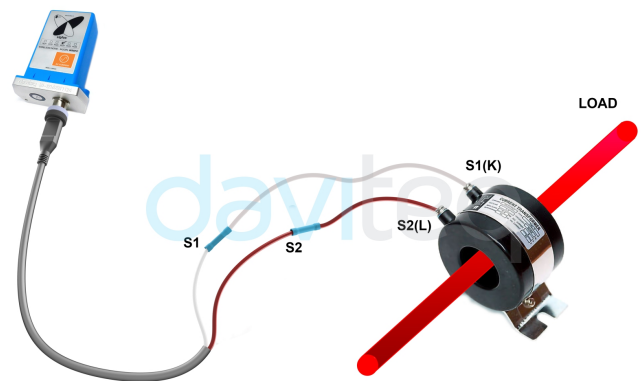
### Applications

Condition Based Monitoring, Machine Health Monitoring, Safety Monitoring, Energy Monitoring, Production Monitoring

### Notes For Applications

- LoRaWAN Communication**  
LoRaWAN communication standard to allow sensor connect to any LoRaWAN Gateway on the market
- 10-Year battery**  
Ultra-low power sensing technology from Daviteq with Ultra-low power wireless technology allow the sensor can last up to 10 years with 2 x AA batteries 1.5VDC
- Connect any 5A Current Transformers**  
Allows to setup the ratio of current transformer
- High precision and stability**  
Sensor with smart software provides high accuracy and stability

## SIGFOX AC CURRENT SENSOR CONNECT WITH CURRENT TRANSFORMER



WSSFC-AC-H2.JPG

### DAVITEQ TECHNOLOGIES INC

Ho Chi Minh City, VN | Koblenz, DE | Melbourne, AU | Zurich, CH

+84.28.6268.2523 / 6268.2524

info@daviteq.com

www.iot.daviteq.com

Created date: Jan-23-2024

Updated date: Aug-28-2024

1/5

## Specification

Measuring range	0~5A AC, select 1 or 3 channels type
Accuracy	1.0%
Resolution	10 -bit
Temperature Drift	50 ppm per°C
Electrical connection	cable 0.5m with crimping connectors for easy connection to the CT
Current Transformer	Support any current transformers with output 5A AC (to be supplied by customers)
COMMUNICATION	
SF Factors	SF7~SF12
Antenna	Internal Antenna 2.0 dBi
Battery	02 x AA size 1.5VDC, battery not included
RF Frequency and Power	860~930MHz, 14~20 dBm, configurable for zones: EU868, IN865, RU864, KR920, AS923, AU915, US915
Protocol	LoRaWAN, class A
Data sending modes	Interval time and when alarm occurred
RF Module complies to	ETSI EN 300 220, EN 303 204 (Europe) FCC CFR47 Part15 (US), ARIB STD-T108 (Japan)
Working temperature	-40~60°C (using Energizer® Lithium Ultimate AA battery)
Dimensions and Net-weight	H140xW73xD42, 250g (LoRaWAN Device only)
Housing	Polycarbonate, IP67
Mounting	Wall mount bracket

### DAVITEQ TECHNOLOGIES INC

📍 Ho Chi Minh City, VN | Koblenz, DE | Melbourne, AU | Zurich, CH

☎ +84.28.6268.2523 / 6268.2524

✉ info@daviteq.com

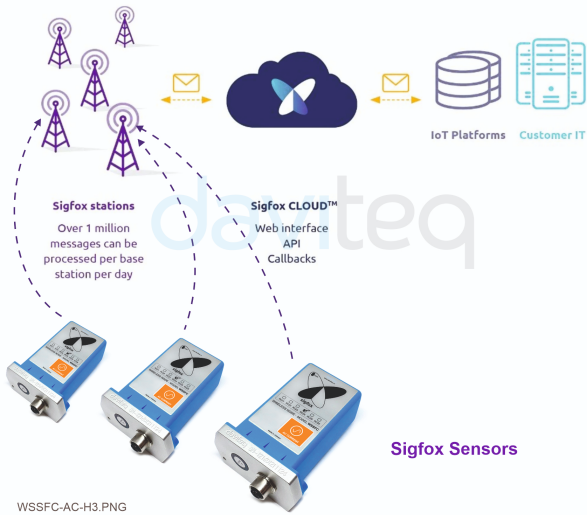
[www.iot.daviteq.com](http://www.iot.daviteq.com)

Created date: Jan-23-2024

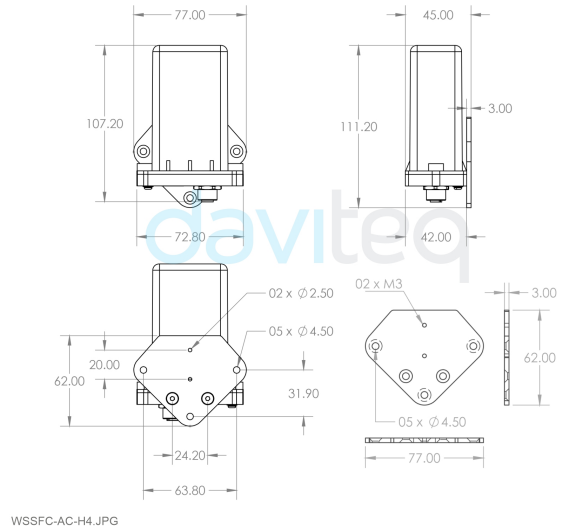
Updated date: Aug-28-2024

2/5

SYSTEM ARCHITECTURE



DIMENSION DRAWING OF WIRELESS SENSOR (Unit: mm)



RECOMMENDED BATTERIES

E91 AA Alkaline battery

L91 AA Lithium battery



-18 .. + 60 oC working temperature  
10-year shelf life  
3000 mAh Capacity  
Price: 1X

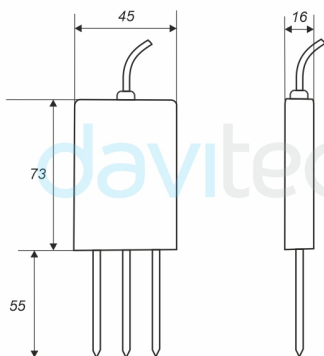
-40 .. + 60 oC working temperature  
20-year shelf life  
3500 mAh Capacity  
Price: 3.5X

WSSFC-AC-H5.JPG

BLANK

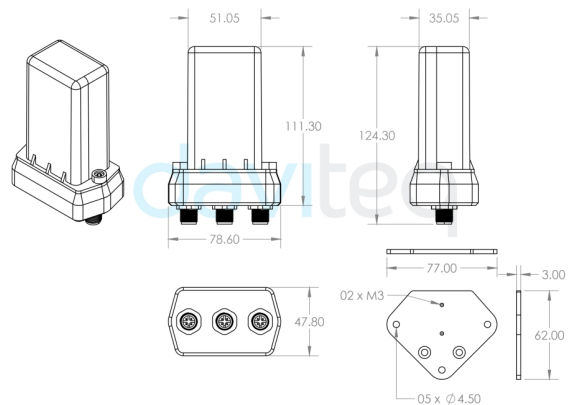
WSSFC-AC-H6.JPG

DIMENSION DRAWINGS OF SENSOR (Unit: mm)



WSNB-SMT-H7.JPG

DIMENSION DRAWING OF DEVICE (Unit: mm)



WSNB-SMT-H8.JPG

DAVITEQ TECHNOLOGIES INC

📍 Ho Chi Minh City, VN | Koblenz, DE | Melbourne, AU | Zurich, CH

☎ +84.28.6268.2523 / 6268.2524

✉ info@daviteq.com

www.iot.daviteq.com

Created date: Jan-23-2024

Updated date: Aug-28-2024

RECOMMENDED BATTERIES

E91 AA Alkaline battery



L91 AA Lithium battery



-18 .. + 60 oC working temperature

10-year shelf life

3000 mAH Capacity

Price: 1X

-40 .. + 60 oC working temperature

20-year shelf life

3500 mAH Capacity

Price: 3.5X

WSNB-SMT-H9.JPG

**DAVITEQ TECHNOLOGIES INC**

Ho Chi Minh City, VN | Koblenz, DE | Melbourne, AU | Zurich, CH

+84.28.6268.2523 / 6268.2524

info@daviteq.com

[www.iot.daviteq.com](http://www.iot.daviteq.com)


Created date: Jan-23-2024


Updated date: Aug-28-2024


## Ordering Information

ITEM CODE	DESCRIPTIONS
WSLRW-AC-11	LORAWA AC CURRENT SENSOR, 1-CHANNEL MAX 5A, IP67, BATTERY AA 1.5VDC, CABLE 0.5M LENGTH WITH CRIMPING CONNECTORS FOR CT
WSLRW-AC-31	LORAWA AC CURRENT SENSOR, 3-CHANNEL MAX 5A, IP67, BATTERY AA 1.5VDC, CABLE 0.5M LENGTH WITH CRIMPING CONNECTORS FOR CT

### DAVITEQ TECHNOLOGIES INC

 Ho Chi Minh City, VN | Koblenz, DE | Melbourne, AU | Zurich, CH

 +84.28.6268.2523 / 6268.2524

 info@daviteq.com

[www.iot.daviteq.com](http://www.iot.daviteq.com)

Created date: Jan-23-2024

Updated date: Aug-28-2024

5/5