

LoRaWAN Compact Node with RS485 Modbus Master Port



Smart Building, Smart City, Smart Factory, Smart Facility

SKU: WSLRW-C-RS485

LORAWAN COMPACT RS485 MODBUS MASTER NODE WSLRW-C-RS485



10-Year



Weatherproof



Safe Zone

Hazardous Zones

WSLRW-C-RS485 is a LoRaWAN compact node with an RS485 Modbus master port to connect to any sensor, water meter, power meter, gas meter, or flow computer with an RS485 slave port. The device supports Modbus RTU protocol. The device is configurable via offline software and downlink messages. It is powered by external power supply. The sensor will transmit data over kilometers to the LoRaWAN gateway, any brand on the market. It supports all LoRaWAN frequency bands.

Applications

Electric Meter Reading, Gas Meter Reading, Water Meter Reading, Production Monitoring, Facility Monitoring

Notes For Applications

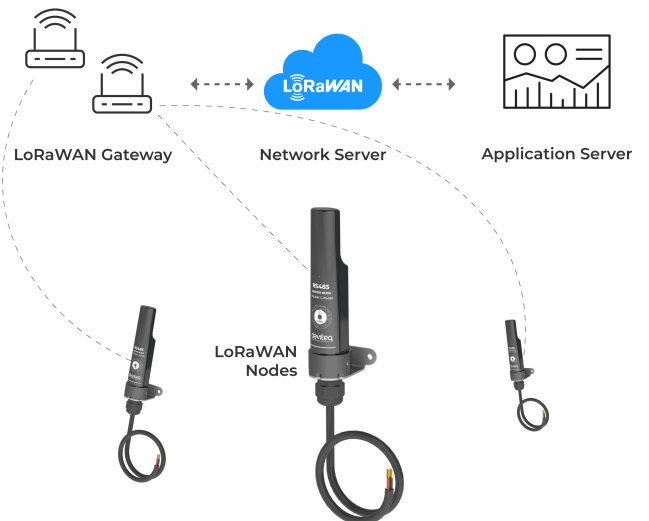
LoRaWAN Compliance
Comply with any LoRaWAN gateway and Network Server

Large data in uplink payload
Send up to 120 bytes of slave device's data per uplink

Multi-uplink sending modes
Send uplinks based on time interval, configurable event trigger, magnetic key activation, on-demand-downlink

Instant uplink sending based on trigger event
Immediately send alarm uplink when a configurable event is triggered with LoRaWAN class C

LORAWAN COMPACT RS485 MODBUS MASTER NODE WSLRW-C-RS485



SYSTEM ARCHITECTURE

DAVITEQ TECHNOLOGIES INC

Ho Chi Minh City, VN | Koblenz, DE | Melbourne, AU | Zurich, CH

+84.28.6268.2523 / 6268.2524

info@daviteq.com

www.iot.daviteq.com


Created date: Jan-09-2025


Updated date: Feb-25-2026


Specification

Input port	1 x RS485 master port
Cable length	2m, shielded cable with marking A, B, PWR+, and PWR- (GND) wires
Protocol	Modbus RTU
Fault protected RS-485 bus pins	up to $\pm 40V$
HBM ESD protection on RS-485 bus pins	$\pm 15kV$
Extended common mode range	$\pm 15V$ (larger than required for RS-485)
High transient over voltage tolerance	$\pm 60V$
Full fail-safe RS-485 receivers	open, short, terminated
COMMUNICATION	
SF Factors	SF7~SF12
Antenna	Internal/External Antenna 2.0 dBi
Power	External power supply, 7 -48 VDC
RF Frequency and Power	860~930MHz, 14~20dBm, configurable for zones: EU868, IN865, RU864, KR920, AS923, AU915, US915
Protocol	LoRaWAN, class A and class C (default)
Data sending modes	Interval time, alarm, magnetic key trigger, and downlink trigger
Certification	CE, FCC
Working temperature	-40~60°C
Dimensions	H140xW40xD40
Net-weight	150g
Housing	Polycarbonate & POM plastic, IP67
Mounting	Wall mount

DAVITEQ TECHNOLOGIES INC

 Ho Chi Minh City, VN | Koblenz, DE | Melbourne, AU | Zurich, CH

 +84.28.6268.2523 / 6268.2524

 info@daviteq.com

www.iot.daviteq.com

Created date: Jan-09-2025

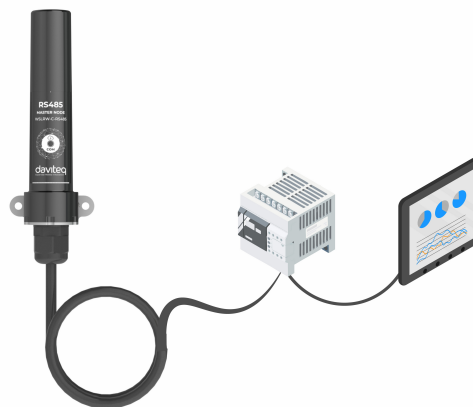
Updated date: Feb-25-2026

LORAWAN COMPACT RS485 MODBUS MASTER NODE
WSLRW-C-RS485



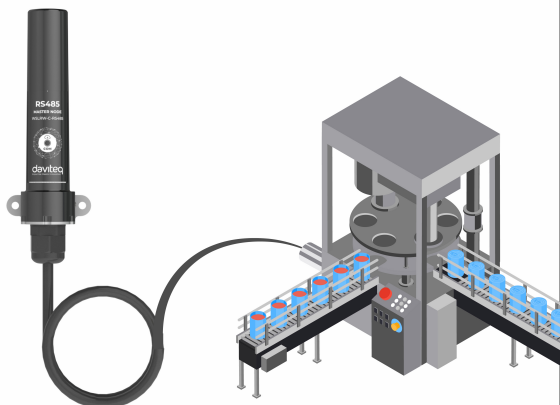
APPLICATION OF METER MONITORING

LORAWAN COMPACT RS485 MODBUS MASTER NODE
WSLRW-C-RS485



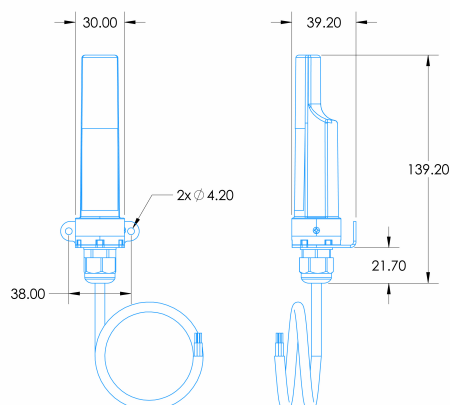
APPLICATION OF PLC & HMI MONITORING

LORAWAN COMPACT RS485 MODBUS MASTER NODE
WSLRW-C-RS485



APPLICATION OF MACHINE MONITORING

LORAWAN COMPACT RS485 MODBUS MASTER NODE
WSLRW-C-RS485



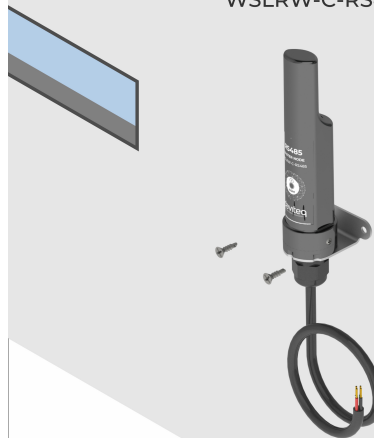
DIMENSION DRAWING OF WIRELESS NODE (Unit: mm)

LORAWAN COMPACT RS485 MODBUS MASTER NODE
WSLRW-C-RS485



PRODUCT PACKAGE

LORAWAN COMPACT RS485 MODBUS MASTER NODE
WSLRW-C-RS485



INSTALLATION

DAVITEQ TECHNOLOGIES INC

📍 Ho Chi Minh City, VN | Koblenz, DE | Melbourne, AU | Zurich, CH

☎ +84.28.6268.2523 / 6268.2524

✉ info@daviteq.com

www.iot.daviteq.com


Created date: Jan-09-2025


Updated date: Feb-25-2026


Ordering Information

ITEM CODE	DESCRIPTIONS
WSLRW-C-RS485-01	LoRaWAN Compact Node with RS485 Master port, Modbus RTU protocol, IP67, 2m shielded cable, internal antenna, 07-48 VDC, 860~930 MHz
WSLRW-C-RS485-01-XA	LoRaWAN Compact Node with RS485 Master port, Modbus RTU protocol, IP67, 2m shielded cable, external antenna, 07-48 VDC, 860~930 MHz

DAVITEQ TECHNOLOGIES INC

 Ho Chi Minh City, VN | Koblenz, DE | Melbourne, AU | Zurich, CH

 +84.28.6268.2523 / 6268.2524

 info@daviteq.com

www.iot.daviteq.com

Created date: Jan-09-2025

Updated date: Feb-25-2026