

LoRaWAN Industrial Ambient Temperature Sensor



Smart Agriculture, Smart Building, Smart Facility, Smart Farm, Smart Factory

SKU: WSLRW-S-ATE

LoRaWAN INDUSTRIAL AMBIENT TEMPERATURE SENSOR WSLRW-S-ATE



WSLRW-S-ATE-H1.PNG



WSLRW-S-ATE is an industrial-grade LoRaWAN ambient temperature sensor designed for use in various industries, including food and beverage, warehousing, manufacturing, and agriculture. It utilizes a digital temperature sensor to deliver highly accurate measurements within a range of -35~70°C. With an ultra-low power design and smart firmware, the sensor can last up to 10 years on a single Lithium AA battery (depending on the configuration). The sensor can transmit data over kilometer distances to any brand of LoRaWAN gateway available on the market.

Applications

Facility Monitoring, Warehouse Monitoring, Indoor Air Quality Monitor

Notes For Applications

- ✓ **LoRaWAN communication**
LoRaWAN communication standard to allow sensor connect to any LoRaWAN Gateway on the market.
- ✓ **10-Year battery**
Ultra-low power sensing technology from Daviteq with Ultra-low power wireless technology allow the sensor can last up to 10 years with a single AA battery 3.6V
- ✓ **High Accuracy & Stable**
Advanced Digital Temperature Sensor, Factory Calibrated
- ✓ **IP68 Sensor Probe**
For both indoor and outdoor applications

WIRELESS SENSORS IS INSTALLED INSIDE TABLE TOP FREEZER



WSLRW-S-ATE-H2.PNG

DAVITEQ TECHNOLOGIES INC

Ho Chi Minh City, VN | Koblenz, DE | Melbourne, AU | Zurich, CH

+84.28.6268.2523 / 6268.2524

info@daviteq.com

www.iot.daviteq.com

Created date: Mar-28-2023

Updated date: Aug-28-2024

1/4

Specification

Sensor	Digital type, factory calibrated, IP68, immersible to ice-water for quick validation
Measuring range	-35~70°C
Accuracy & Resolution	< ±0.5°C, 0.125°C
Sensor Material	PA plastic with PVC cable
Cable length	select 200mm, 500mm, 1000mm
Sensor Probe rating	IP68
COMMUNICATION	
SF Factor	SF7~SF12
Antenna	Internal Antenna 2.0dbi
Power Supply	Primary batteries 1 x AA size 3.6VDC (battery not included)
RF Frequency and Power	860~930MHz, 14~20dBm, configurable for zones: EU868, IN865, RU864, KR920, AS923, AU915, US915
Protocol	LoRaWAN Class A V1.0.3
Data sending modes	interval time, and alarm
Alarm function	Low Alarm and High Alarm
RF Module complies to	ETSI EN 300 220, EN 303 204 (Europe) FCC CFR47 Part15 (US), ARIB STD-T108 (Japan)
Vietnam Type Approval	
Working temperature	-40~70°C (with battery SAFT LS14500)
Dimensions	H80xW30xD30 (not included sensor probe and cable)
Net-weight	< 120g
Housing	Engineering Plastic,IP67
Mounting bracket	Come with standard mounting bracket

DAVITEQ TECHNOLOGIES INC

📍 Ho Chi Minh City, VN | Koblenz, DE | Melbourne, AU | Zurich, CH

☎ +84.28.6268.2523 / 6268.2524

✉ info@daviteq.com

www.iot.daviteq.com

Created date: Mar-28-2023

Updated date: Aug-28-2024

2/4

WIRELESS SENSORS IS INSTALLED INSIDE OPEN SHOWCASE



WSLRW-S-ATE-H3.PNG

MONITORING TEMPERATURE IN DATACENTER



WSLRW-S-ATE-H4.PNG

MONITORING TEMPERATURE IN WAREHOUSE



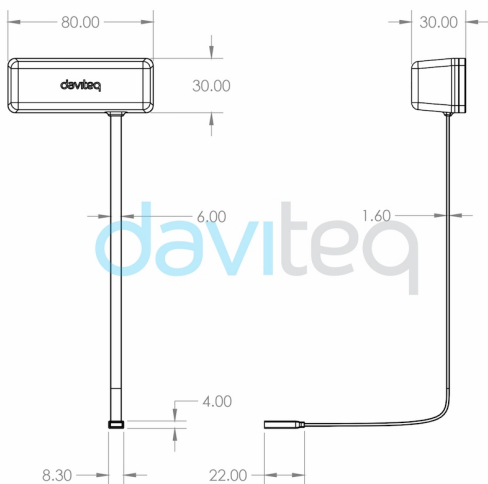
WSLRW-S-ATE-H5.PNG

LoRaWAN NETWORK



WSLRW-S-ATE-H6.PNG

DIMENSION DRAWING OF SENSOR NODE



WSLRW-S-ATE-H7.PNG

RECOMMENDED BATTERIES FOR LoRaWAN SENSOR

LS 14500 Lithium battery



-60°C..+85°C working temperature

Low self-discharge rate

2.6 Ah Capacity

WSLRW-S-ATE-H8.PNG

DAVITEQ TECHNOLOGIES INC

📍 Ho Chi Minh City, VN | Koblenz, DE | Melbourne, AU | Zurich, CH

☎ +84.28.6268.2523 / 6268.2524

✉ info@daviteq.com

www.iot.daviteq.com


Created date: Mar-28-2023

Updated date: Aug-28-2024


Ordering Information

ITEM CODE	DESCRIPTIONS
WSLRW-S-ATE-R12-200	LoRaWAN Industrial Ambient Temperature Sensor, Single Battery 3.6V AA type, Round cable 200mm, IP68 probe, IP67 housing, 860-930MHz
WSLRW-S-ATE-R12-1000	LoRaWAN Industrial Ambient Temperature Sensor, Single Battery 3.6V AA type, Round cable 1000mm, IP68 probe, IP67 housing, 860-930MHz

DAVITEQ TECHNOLOGIES INC

 Ho Chi Minh City, VN | Koblenz, DE | Melbourne, AU | Zurich, CH

 +84.28.6268.2523 / 6268.2524

 info@daviteq.com

www.iot.daviteq.com

Created date: Mar-28-2023

Updated date: Aug-28-2024

4/4