

LoRaWAN Sound Level Sensor

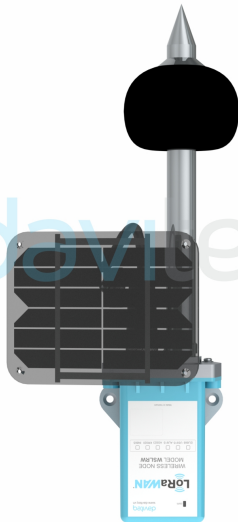


Smart Agriculture, Smart Building, Smart City, Smart Facility, Smart Farm, Smart Factory, Smart Transportation

SKU: WSLRW-SL

LoRaWAN SOUND LEVEL SENSOR WSLRW-SL

LoRaWAN



WSLRW-SL-H1.JPG

Safe Zone

Hazardous Zones

WSLRW-SL is a LoRaWAN noise sensor with a measuring range of 30-130 dB(A) for residential, office, factory, construction sites, and public areas... Capacitive technology has high sensitivity, accuracy, and stability. LoRaWAN connectivity enables kilometer-long data transmission to LoRaWAN Gateways. With an ultra-low power design and intelligent firmware, the sensor can operate for up to 10 years with only 2 AA batteries (depending on configuration), or use solar panels for applications of continuous monitoring. The device supports all LoRaWAN bands worldwide.

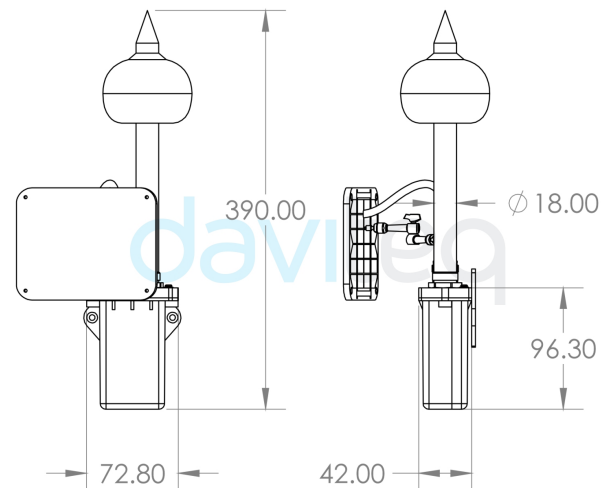
Applications

Ambient Air Quality Monitor, Facility Monitoring, Machine Health Monitoring, Safety Monitoring

Notes For Applications

- Wide frequency range**
Allows measurement from 20-12,500 Hz
- LoRaWAN Communication**
Support Worldwide LoRaWAN® frequency bands
- 10-Year battery**
Use batteries for up to 10 years, or use solar panels for continuous monitoring applications.
- For Outdoor**
Designed to be installed both indoors and outdoors

DIMENSION DRAWING OF SENSOR NODE (Unit: mm)



WSLRW-SL-H2.JPG

DAVITEQ TECHNOLOGIES INC

Ho Chi Minh City, VN | Koblenz, DE | Melbourne, AU | Zurich, CH

+84.28.6268.2523 / 6268.2524

info@daviteq.com

www.iot.daviteq.com

Created date: Dec-21-2022

Updated date: Aug-28-2024

1/4

Specification

Measuring range	30~130dB(A)
Frequency range	20~12,500Hz
Resolution	0.1dB(A)
Accuracy	±0.5dB(A) at 94dB(A) and 1kHz
Working temperature	-20~60°C
Working humidity	0~80% RH
COMMUNICATION	
SF Factors	SF7~SF12
Antenna	Internal Antenna 2.0dbi
Battery	02 x AA size 1.5VDC, battery not included OR solar panel (buy separately) with 2 x Panasonic® Eneloop™ standard batteries (customer to supply)
RF Frequency and Power	860~930MHz, 14~20dBm, configurable for zones: EU868, IN865, RU864, KR920, AS923, AU915, US915
Protocol	LoRaWAN Class A V1.0.3
Data sending modes	interval time, and manually triggering by magnetic key
RF Module complies to	ETSI EN 300 220, EN 303 204 (Europe) FCC CFR47 Part15 (US), ARIB STD-T108 (Japan)
Vietnam Type Approval	
Working temperature	-40~60°C (with AA L91 Energizer®)
Dimensions	H390xW73xD42 Net-weight

DAVITEQ TECHNOLOGIES INC

📍 Ho Chi Minh City, VN | Koblenz, DE | Melbourne, AU | Zurich, CH

☎ +84.28.6268.2523 / 6268.2524

✉ info@daviteq.com

www.iot.daviteq.com

Created date: Dec-21-2022

Updated date: Aug-28-2024

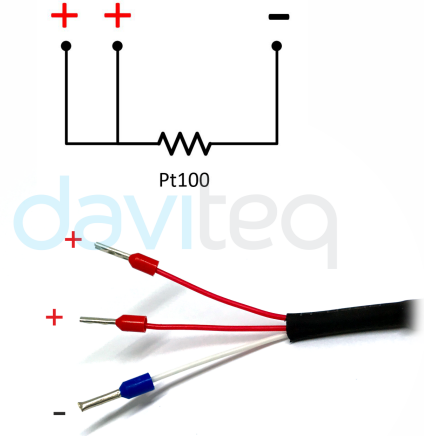
2/4

LoRaWAN SENSOR CONNECT WITH PT100 TEMPERATURE SENSOR VIA PG9 CONNECTOR



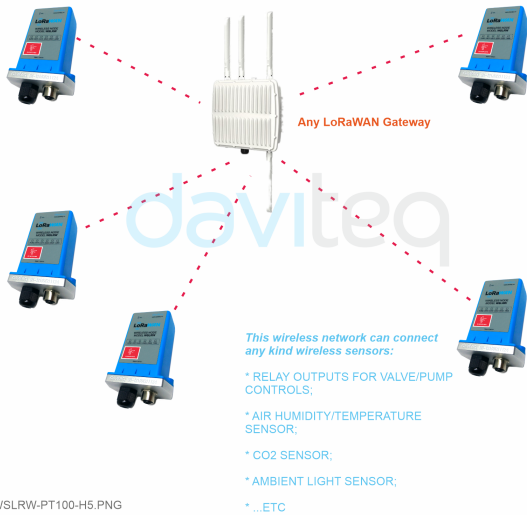
WSLRW-PT100-H3.PNG

WIRING THE PT100 TEMPERATURE SENSOR



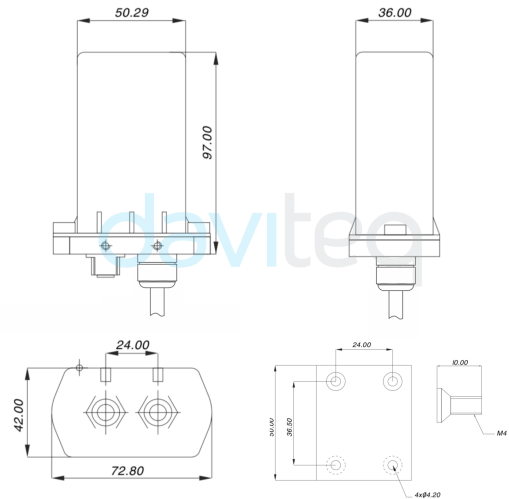
WSLRW-PT100-H4.PNG

LoRaWAN NETWORK



WSLRW-PT100-H5.PNG

DIMENSION DRAWING OF WIRELESS SENSOR (Unit: mm)



WSLRW-PT100-H6.PNG

RECOMMENDED BATTERIES

E91 AA Alkaline battery



-18 .. + 60 oC working temperature
10-year shelf life
3000 mAh Capacity
Price: 1X

L91 AA Lithium battery



-40 .. + 60 oC working temperature
20-year shelf life
3500 mAh Capacity
Price: 3.5X

WSLRW-PT100-H7.PNG

BLANK


WSLRW-PT100-H8.PNG


DAVITEQ TECHNOLOGIES INC


Ordering Information

ITEM CODE	DESCRIPTIONS
WSLRW-SL-01	LoRaWAN Sound Level Sensor, 31.5 - 8000 Hz, 30-130 dB(A), AA batteries, IP67
WSLRW-SL-01S	LoRaWAN Sound Level Sensor, 31.5 - 8000 Hz, 30-130 dB(A), Solar panel powered, IP67
IP67SOLAR-PN-1W6V-PU-M12F-20-1/4BRK	Solar panel for IoT Device, 1W 6V, M12-F connector and mounting bracket

DAVITEQ TECHNOLOGIES INC

 Ho Chi Minh City, VN | Koblenz, DE | Melbourne, AU | Zurich, CH

 +84.28.6268.2523 / 6268.2524

 info@daviteq.com

www.iot.daviteq.com

Created date: Dec-21-2022

Updated date: Aug-28-2024

4/4