

LoRaWAN Heavy-duty Tilt Sensor



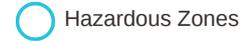
Smart Agriculture, Smart Building, Smart City, Smart Facility, Smart Farm, Smart Factory

SKU: WSLRWAL-AG

HEAVY-DUTY LoRaWAN TILT SENSOR WSLRWAL-AG



WSLRWEX-AG-H1.JPG



WSLRWAL-AG is a LoRaWAN Tilt Sensor for Heavy-duty applications and comes with inclinometer which can be used to measure tilt angles X, and Y of any object such as a Tower, Building, Tree, Electricity Tower, Telecom Tower, Bridges... With Ultra-low Power design and smart firmware allow the sensor can last up to 10 years with 01 x C-type battery (depends on configuration). The sensor will transmit data in kilo-meters distance to the LoRaWAN gateway, any brand on the market. For LoRaWAN connectivity, it supports global frequency bands EU868, IN865, RU864, KR920, AS923, AS923-2, AU915, US915.

Applications

Facility Monitoring, Flood Monitoring, Infrastructure Monitoring, Level Monitoring, Machine Health Monitoring, Safety Monitoring, Tilt Monitoring

Notes For Applications

- This AG tilt sensor measures the static tilt angle of the static object vs. the Gravity direction. Please do not use it for other angle measurements.
- It measures the static tilt angle of stationary objects or slow-moving objects such as Tree, Bridge, Pole, Tower, Crane, and Building...
- It does not measure the tilt angle of a quick-moving object like construction equipment...

LoRaWAN Communication

LoRaWAN communication standard to allow sensor to connect to any LoRaWAN Gateway on the market.

10-Year battery

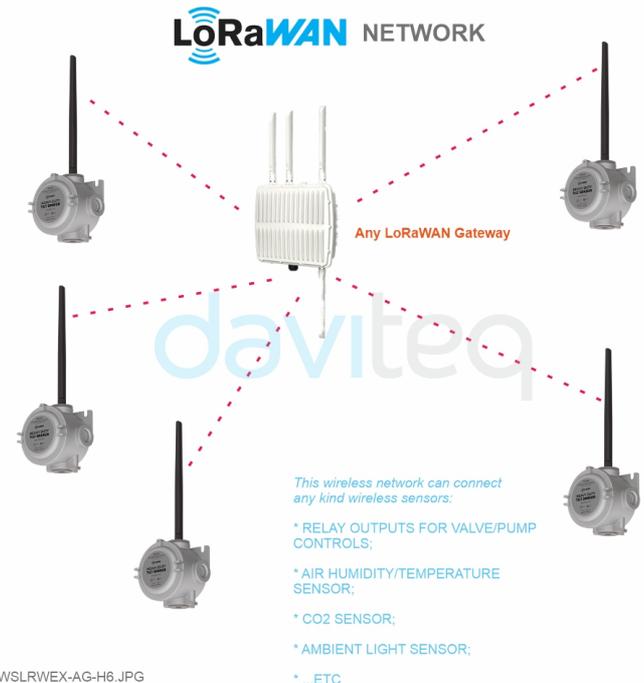
Ultra-low power sensing technology from Daviteq with Ultra-low power wireless technology allow the sensor can last up to 10 years with 01 x Type C battery.

High Precision Tilt Measurement

Advanced Accelerometer to deliver high accuracy and stable measurement of Tilt angles.

Heavy-duty design

Cast aluminum, IP66 housing for heavy-duty applications.



WSLRWEX-AG-H6.JPG

DAVITEQ TECHNOLOGIES INC

Ho Chi Minh City, VN | Koblenz, DE | Melbourne, AU | Zurich, CH

+84.28.6268.2523 / 6268.2524

info@daviteq.com

www.iot.daviteq.com

Created date: Apr-04-2024

Updated date: Aug-28-2024

1/4

Specification

Tilt Sensor	Built-in advanced accelerometer to deliver tilt angle measurement of XYZ for AG-01 version, XY for AG-03 version
Tilt Measurement range	±90° for AG-01 version ±30° for AG-03 version
Tilt Resolution	±0.01° for AG-01 version ±0.001° for AG-03 version
Tilt Repeatability	±0.075° for AG-01 version ±0.010° for AG-03 version
Tilt Temperature Drift	±0.2° per 10°C for AG-01 version (when installation X~0° and Y~0°)
Sensor sampling rate	1Hz max (recommend for Solar powered version)
COMMUNICATION	
SF Factors	SF7~SF12
Antenna	External antenna
Power Supply	Primary batteries 01 x C size 3.6VDC (battery not included) or Solar Panel with Rechargeable batteries 1 x C size (not included)
RF Frequency and Power	860~930MHz, 14~20 dBm, configurable for zones: EU868, IN865, RU864, KR920, AS923, AU915, US915
Protocol	LoRaWAN Class A V1.0.3
Data sending modes	interval time, alarm and manually triggering by magnetic key
Alarm function	for X-axis and Y-axis only
Housing	Cast aluminum, IP66
Ambient working temperature	-40~85°C (use with SAFT LS26500)
Size Net weight	H106xW100xD75 (not including antenna)/ ≈600g
Mounting type	Wall mount

DAVITEQ TECHNOLOGIES INC

📍 Ho Chi Minh City, VN | Koblenz, DE | Melbourne, AU | Zurich, CH

☎️ +84.28.6268.2523 / 6268.2524

✉️ info@daviteq.com

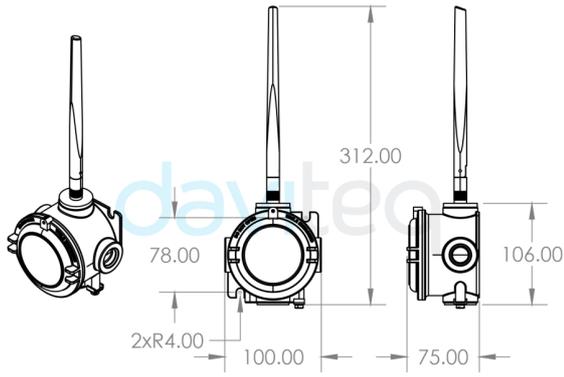
www.iot.daviteq.com

Created date: Apr-04-2024

Updated date: Aug-28-2024

2/4

DIMENSION DRAWING OF SENSOR NODE
(Unit: mm)



WSLRWEX-AG-H7.JPG

RECOMMENDED BATTERIES FOR LoRaWAN SENSOR

LS 26500 Lithium battery



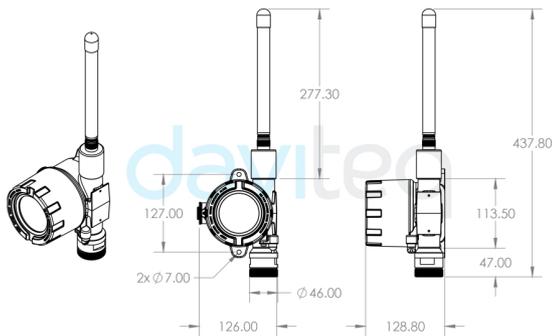
-60°C..+85°C working temperature

Low self-discharge rate

7.7 Ah Capacity

WSLRWEX-AG-H8.JPG

DIMENSION DRAWING OF SENSOR NODE
(Unit: mm)



WSLRWEX-GHC-H5.JPG

DAVITEQ TECHNOLOGIES INC

📍 Ho Chi Minh City, VN | Koblenz, DE | Melbourne, AU | Zurich, CH

☎ +84.28.6268.2523 / 6268.2524

✉ info@daviteq.com

www.iot.daviteq.com

Created date: Apr-04-2024

Updated date: Aug-28-2024

Ordering Information

ITEM CODE	DESCRIPTIONS
WSLRWAL-AG-01	LoRaWAN Heavy-duty Tilt sensor, External antenna, XYZ tilt measurement, 0.075° Repeatability, 3.6V Battery, -90°~90°, IP66
WSLRWAL-AG-03	LoRaWAN Heavy-duty Precision Tilt sensor, External antenna, XY tilt measurement, 0.01° Repeatability, 3.6V Battery, -30°~30°, IP66

DAVITEQ TECHNOLOGIES INC

 Ho Chi Minh City, VN | Koblenz, DE | Melbourne, AU | Zurich, CH

 +84.28.6268.2523 / 6268.2524

 info@daviteq.com

www.iot.daviteq.com

Created date: Apr-04-2024

Updated date: Aug-28-2024

4/4