

LoRaWAN Heavy Duty Digital Input Node



Smart Agriculture, Smart Building, Smart City, Smart Energy, Smart Facility, Smart Factory, Smart Farm, Smart Retail, Smart Utilities

SKU: WSLRWAL-DI

HEAVY DUTY LoRaWAN NODE WITH DIGITAL INPUT WSLRWAL-DI



WSLRWAL-DI-H1.JPG



WSLRWAL-DI is a Heavy Duty LoRaWAN Node with powder-coated cast aluminum housing and a high-efficiency/ heavy-duty antenna that comes with 02 digital inputs for detecting the status of the pump, valve... or counting pulses from the flow meter, energy meter... Ultra-low-power design and smart firmware allow the device to run on a single battery type C for 5 years or more with 10 minutes update. It supports global frequency bands EU868, IN865, RU864, KR920, AS923, AS923-2, AU915, and US915. The sensor can work perfectly with any LoRaWAN Gateway on the market.

Typical applications: detecting the status of the pump, valve...or counting pulses from the flow meter, energy meter...

Applications

Process Monitoring, Safety Monitoring, Energy Monitoring, Electric Meter Reading, Gas Meter Reading, Water Meter Reading, Production Monitoring

Notes For Applications

- Accept the dry-contact output or voltage output with a max of 3.3V;
- Consider the shortest signal cable to avoid noise, especially for high-speed pulse applications;
- Recommend using the shielded cable with twisted pairs;
- Take note of the signal's duty cycle to meet this device's requirement.

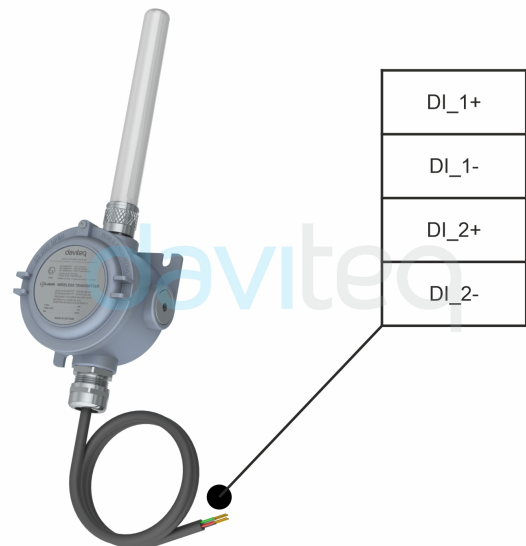
LoRaWAN communication
Support LoRaWAN Class A, connect to any LoRaWAN gateway on the market

Heavy Duty Design
Powder-coated cast aluminum housing and heavy-duty antenna

5-10 years battery
Ultra-low power technology allows 5-year battery life with a single size C battery

Plug & Play
The sensor is tested and pre-configured in factory before shipping.

2 CHANNEL DIGITAL INPUT



WSLRWAL-DI-H2.JPG

DAVITEQ TECHNOLOGIES INC

Ho Chi Minh City, VN | Koblenz, DE | Melbourne, AU | Zurich, CH

+84.28.6268.2523 / 6268.2524

info@daviteq.com

www.iot.daviteq.com

Created date: Dec-21-2022


Updated date: Aug-28-2024


1/5


Specification

Digital Inputs	2-channel dry contact or low voltage ($\leq 3.3V$)
Operation	Detecting status or Pulse counting (max 1kHz)
VERSION	DI-12 (Low-speed digital input)
Input	2-Digital channel inputs with dry-contact or voltage input (max 3.3VDC)
Functions	Logic Detecting or Pulse Counting
	Logic Detecting: 2 channels, recommended minimum interval time between 02 statuses is 5 seconds.
	Pulse Counting: 1 channel only, max frequency 2Hz, minimum Pulse width (low or high) is 200mS, counter is uint32 type.
VERSION	DI-12H (High-speed digital input)
Input	2-Digital channel inputs with dry-contact or voltage input (max 3.3VDC)
Functions	Logic Detecting or Pulse Counting
	Logic Detecting: 2 channels, recommended minimum interval time between 02 statuses is 5 seconds.
	Pulse Counting: 2 channels, max frequency 1kHz, minimum Pulse width (low or high) is 200 μ S, counter is uint32 type.
COMMUNICATION	
Protocol	LoRaWAN® Class A, V1.0.3
SF Factors	SF7~SF12
Antenna	External Antenna
RF Frequency and Power	860~930MHz, 14~20dBm, configurable for zones: EU868, IN865, RU864, KR920, AS923, AS923-2, AU915, US915
Data sending modes	interval time, or when status changes, or manually triggered by a magnetic key.
Configuration	via Downlink or offline USB cable (PC software is supplied for free)
Battery	01 x C type LiSOCl ₂ 3.6V battery, not included (recommend SAFT LS26500)
Housing	Cast aluminum, IP66
Applicable Zones	Safe areas
Ambient working temperature	-40~85°C (use with SAFT LS26500)
Dimensions	H100xW100xD80 (excluded antenna)
Net-weight	≈1200g (without battery)
Mounting	Wall mount

DAVITEQ TECHNOLOGIES INC

 Ho Chi Minh City, VN | Koblenz, DE | Melbourne, AU | Zurich, CH

 +84.28.6268.2523 / 6268.2524

 info@daviteq.com

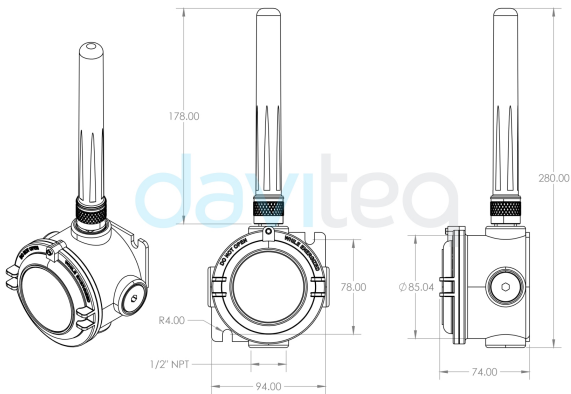
www.iot.daviteq.com

Created date: Dec-21-2022

Updated date: Aug-28-2024

2/5

DIMENSION DRAWING OF WSLRWAL-DI
(Unit: mm)



WSLRWAL-DI-H3.JPG

RECOMMENDED BATTERIES FOR LoRaWAN NODE

LS 26500 Lithium battery



-60°C..+85°C working temperature

Low self-discharge rate

7.7 Ah Capacity

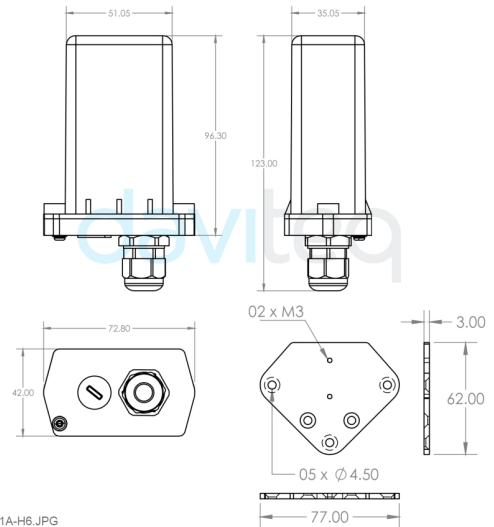
WSLRWAL-DI-H4.JPG

VIBRATION SENSOR WITH M6 SCREW



WSLRW-V1A-H5.JPG

DIMENSION DRAWING OF WIRELESS NODE
(Unit: mm)



WSLRW-V1A-H6.JPG

RECOMMENDED BATTERIES

E91 AA Alkaline battery



-18 .. + 60 oC working temperature

10-year shelf life

3000 mAH Capacity

Price: 1X

L91 AA Lithium battery



-40 .. + 60 oC working temperature

20-year shelf life

3500 mAH Capacity

Price: 3.5X

WSLRW-V1A-H7.JPG

WHAT'S IN THE PACKAGE?



DAVITEQ TECHNOLOGIES INC

📍 Ho Chi Minh City, VN | Koblenz, DE | Melbourne, AU | Zurich, CH

☎ +84.28.6268.2523 / 6268.2524

✉ info@daviteq.com

www.iot.daviteq.com

Created date: Dec-21-2022

Updated date: Aug-28-2024

RECOMMENDED BATTERIES

E91 AA Alkaline battery



L91 AA Lithium battery



-18 .. + 60 oC working temperature

10-year shelf life

3000 mAh Capacity

Price: 1X

-40 .. + 60 oC working temperature

20-year shelf life

3500 mAh Capacity

Price: 3.5X

WSLRW-ULA-H8.PNG

DAVITEQ TECHNOLOGIES INC

Ho Chi Minh City, VN | Koblenz, DE | Melbourne, AU | Zurich, CH

+84.28.6268.2523 / 6268.2524

info@daviteq.com

www.iot.daviteq.com


Created date: Dec-21-2022


Updated date: Aug-28-2024


Ordering Information

ITEM CODE	DESCRIPTIONS
WSLRWAL-DI-12	HEAVY-DUTY LORAWAN NODE WITH DIGITAL INPUTS, BATTERY 3.6V, IP66, 2-CHANNEL DRY-CONTACT OR VOLTAGE INPUT MAX 3.3VDC, LOGIC DETECTING OR PULSE COUNTING MAX 2HZ

DAVITEQ TECHNOLOGIES INC

 Ho Chi Minh City, VN | Koblenz, DE | Melbourne, AU | Zurich, CH

 +84.28.6268.2523 / 6268.2524

 info@daviteq.com

www.iot.daviteq.com

Created date: Dec-21-2022

Updated date: Aug-28-2024

5/5