

LoRaWAN Ex d Analog Output Node



Smart Facility, Smart Factory

SKU: WSLRWEX-AO

Safe Zone

Hazardous Zones



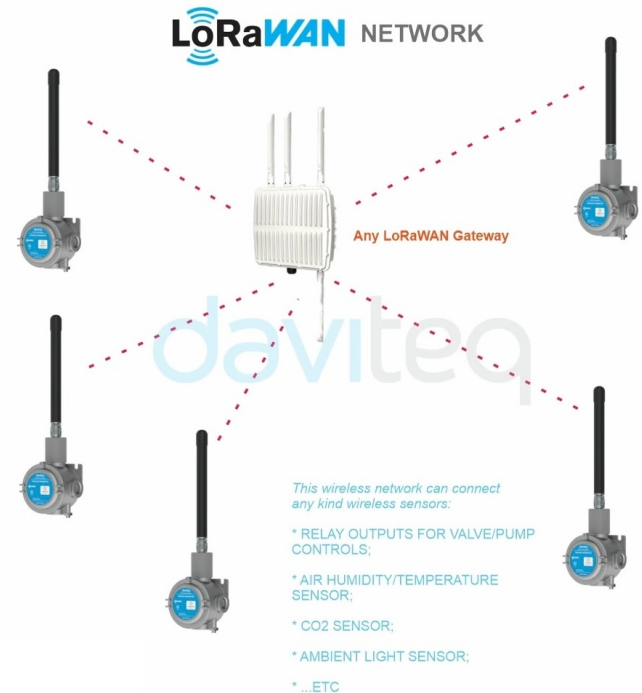
WSLRWEX-AO is a LoRaWAN device featuring an analog output of 4-20mA and certified with Ex d explosion-proof approval. It is designed to receive data from a LoRaWAN gateway and output the corresponding value to the 4-20mA port. In P2P-LoRa mode, it can also receive data directly from any P2P-LoRa sensor. This solution enables seamless wireless data transmission between legacy instruments with 4-20mA outputs and reading devices such as PLCs, RTUs, and DCS systems. It supports global frequency bands, including EU868, IN865, RU864, KR920, AS923, AS923-2, AU915, and US915.

Applications

Facility Monitoring, Energy Monitoring, Process Monitoring

Notes For Applications

- LoRaWAN Communication**
LoRaWAN Specification V1.0.3
- Direct receiving data from other end device**
By using P2P-LoRa Mode
- Ex d Zones 1-2-21-22**
Ex d approval for installation in Zone 1, Zone 2 or Safe Zone



DAVITEQ TECHNOLOGIES INC

Ho Chi Minh City, VN | Koblenz, DE | Melbourne, AU | Zurich, CH

+84.28.6268.2523 / 6268.2524

info@daviteq.com

www.iot.daviteq.com

Created date: Jul-10-2024

Updated date: Aug-28-2024

1/4

Specification

Output	4-20mA active
Resolution	10 bit DAC
Linearity	±0.05%
Wiring Conduit	1/2" NPT (does not include cable gland)
COMMUNICATION	
SF Factors	SF7~SF12
Antenna	External antenna
Power Supply	12-24VDC, max 40mA
RF Frequency and Power	860~930MHz, 14~20 dBm, configurable for zones: EU868, IN865, RU864, KR920, AS923, AU915, US915
Protocol	LoRaWAN Class C V1.0.3 or Private-LoRa Mode
Data sending modes	interval time, alarm and manually triggering by magnetic key
Housing	Cast aluminum, IP66
Ex Certification	IMQ 14 ATEX 005 X, TÜV CY 18 ATEX 0206158 X
Hazardous Protection Marking	ATEX II 2G Ex db IIC T4 Gb and ATEX II 2D Ex tb IIIC T135°C Db
Standards	IEC EN 60079-0, IEC EN 60079-7 and IEC EN 60079-31
Applicable Zones	Zone 1 & 2 gas hazardous areas Zone 21 & 22 hazardous areas which contain conductive combustible dust
Ambient working temperature	-40~85°C (use with SAFT LS26500)
Size Net weight	H145xW100xD73 (not including antenna)/ ≈1100g
Mounting type	Wall mount

DAVITEQ TECHNOLOGIES INC

📍 Ho Chi Minh City, VN | Koblenz, DE | Melbourne, AU | Zurich, CH

☎️ +84.28.6268.2523 / 6268.2524

✉️ info@daviteq.com

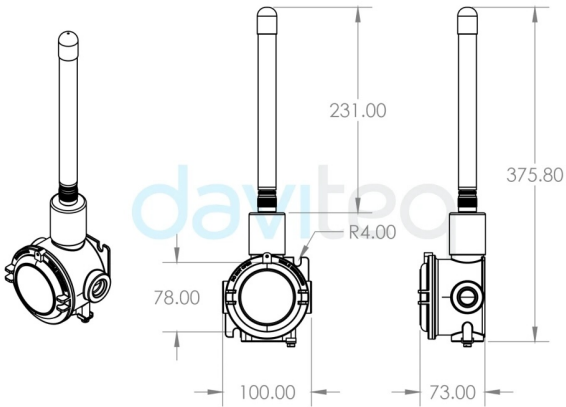
www.iot.daviteq.com

Created date: Jul-10-2024

Updated date: Aug-28-2024

2/4

DIMENSION DRAWING OF SENSOR NODE
(Unit: mm)



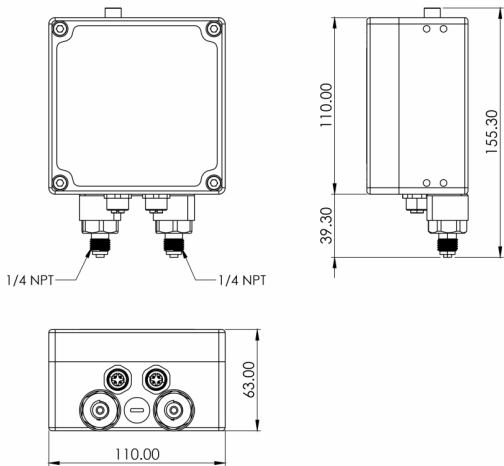
RECOMMENDED BATTERY

Saft LS33600 D Type 3.6V
Li-SOCl₂ battery



-60°C/+85°C (-76°F/+185°F) Working Temperature
61.200 mWh Capacity

WSSFC-G4H-H5.PNG



RECOMMENDED BATTERIES FOR SENSOR NODE

LS 33600 Lithium battery



-60°C..+85°C working temperature
Low self-discharge rate
17.0 Ah Capacity

WSSFC-GCB-H7.JPG

PRODUCT PACKAGE




WSSFC-GCB-H8.JPG


DAVITEQ TECHNOLOGIES INC


Ordering Information

ITEM CODE	DESCRIPTIONS
WSLRWEX-AO-01	LoRaWAN Ex d approved 4-20mA Output Node, 12-24VDC Supply, IP66, 1/2" NPT Conduit

DAVITEQ TECHNOLOGIES INC

 Ho Chi Minh City, VN | Koblenz, DE | Melbourne, AU | Zurich, CH

 +84.28.6268.2523 / 6268.2524

 info@daviteq.com

www.iot.daviteq.com

Created date: Jul-10-2024

Updated date: Aug-28-2024

4/4