

# Sigfox AC Current Sensor



Smart Agriculture, Smart Building, Smart City, Smart Energy, Smart Facility, Smart Factory, Smart Farm, Smart Retail, Smart Utilities

SKU: WSSFC-AC

Safe Zone

Hazardous Zones

## SIGFOX AC CURRENT SENSOR WSSFC-AC



WSSFC-AC is a wireless Sigfox-ready sensor with 1-channel AC current input 5A to measure the AC current load of your motors, machines...to count the energy consumption, OVER-load or NO-load detection, run hour counting... With Ultra-low power design and smart firmware allow the complete Wireless and Sensor package run on 2 x AA battery up to 10 years. It can support all regions of Sigfox network in over the World, RC1, RC2, RC3c, RC4, RC5, RC6, RC7. Typical applications: Monitoring energy consumption, monitoring power supply, monitoring machine health, monitoring machine uptime,...

### Applications

Condition Based Monitoring, Machine Health Monitoring, Safety Monitoring, Energy Monitoring, Production Monitoring

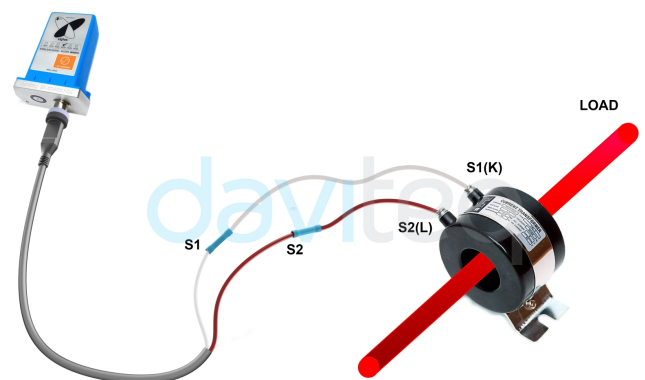
### Notes For Applications



WSSFC-AC-H1.JPG

- Sigfox-Ready**  
Support RC1, RC2, RC3c, RC4, RC5, RC6, RC7.
- 10-Year battery**  
Ultra-low power sensing technology from Daviteq with Ultra-low power wireless technology allow the sensor can last up to 10 years with 2 x AA batteries 1.5VDC
- Connect any 5A Current Transformers**  
Allows to setup the ratio of current transformer
- High precision and stability**  
Sensor with smart software provides high accuracy and stability

## SIGFOX AC CURRENT SENSOR CONNECT WITH CURRENT TRANSFORMER



WSSFC-AC-H2.JPG

### DAVITEQ TECHNOLOGIES INC

Ho Chi Minh City, VN | Koblenz, DE | Melbourne, AU | Zurich, CH

+84.28.6268.2523 / 6268.2524

info@daviteq.com

www.iot.daviteq.com

Created date: Dec-21-2022


Updated date: Aug-28-2024


1/4

## Specification

Measuring range	0~5A AC
Accuracy	1.0%
Resolution	10 -bit
Temperature Drift	50 ppm per°C
Electrical connection	cable 0.5m with crimping connectors for easy connection to the CT
COMMUNICATION	
Sigfox zones	select RC1~RC7
Antenna	Internal Antenna 2 dbi
Configuration	via offline USB cable (PC software is supplied at free) and via Downlink
Battery	02 x AA Type 1.5VDC, working time up to 10 years (depends on configuration) ** 7 years working with 30 minutes update, RC4, 1 x transmit
RF Module complies to	CE, FCC, ARIB
Working temperature	-40~60°C (using Energizer® Lithium Ultimate AA battery)
Dimensions & Net-weight	H107xW73xD42, 190g
Housing	Aluminum + Polycarbonate, IP67
Mounting	Wall mount bracket

### DAVITEQ TECHNOLOGIES INC

 Ho Chi Minh City, VN | Koblenz, DE | Melbourne, AU | Zurich, CH

 +84.28.6268.2523 / 6268.2524

 info@daviteq.com

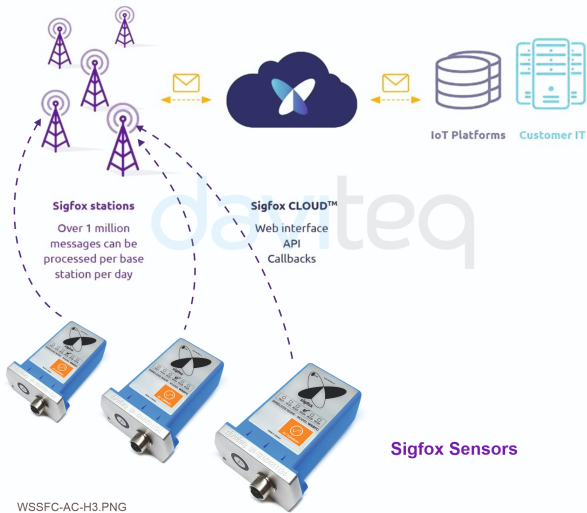
[www.iot.daviteq.com](http://www.iot.daviteq.com)

Created date: Dec-21-2022

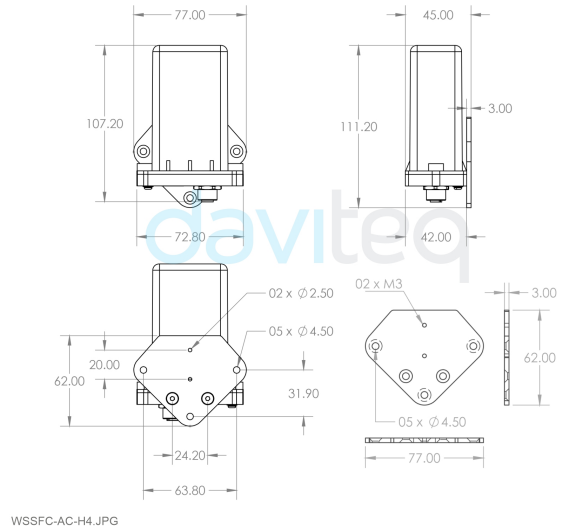
Updated date: Aug-28-2024

2/4

SYSTEM ARCHITECTURE



DIMENSION DRAWING OF WIRELESS SENSOR (Unit: mm)



RECOMMENDED BATTERIES

E91 AA Alkaline battery



-18 .. + 60 oC working temperature  
10-year shelf life  
3000 mAh Capacity  
Price: 1X

L91 AA Lithium battery



-40 .. + 60 oC working temperature  
20-year shelf life  
3500 mAh Capacity  
Price: 3.5X

WSSFC-AC-H5.JPG

RECOMMENDED BATTERIES FOR LoRaWAN SENSOR

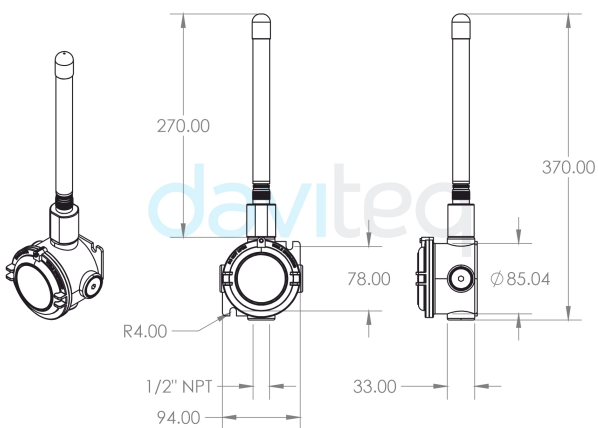
LS 26500 Lithium battery



-60°C..+85°C working temperature  
Low self-discharge rate  
7.7 Ah Capacity

WSLRWEX-PPS-H5.JPG

DIMENSION DRAWING OF WSLRWEX-DI (Unit: mm)



RECOMMENDED BATTERIES FOR LoRaWAN SENSOR

LS 26500 Lithium battery



-60°C..+85°C working temperature  
Low self-discharge rate  
7.7 Ah Capacity


WSLRWEX-DI-H8.JPG


DAVITEQ TECHNOLOGIES INC

## Ordering Information

ITEM CODE	DESCRIPTIONS
WSSFC-AC-11	SIGFOX-READY AC CURRENT SENSOR, 1-CHANNEL MAX 5A, IP67, BATTERY AA 1.5VDC, CABLE 0.5M LENGTH WITH CRIMPPING CONNECTORS FOR CT

### DAVITEQ TECHNOLOGIES INC

 Ho Chi Minh City, VN | Koblenz, DE | Melbourne, AU | Zurich, CH

 +84.28.6268.2523 / 6268.2524

 info@daviteq.com

[www.iot.daviteq.com](http://www.iot.daviteq.com)

Created date: Dec-21-2022

Updated date: Aug-28-2024

4/4