

Sigfox Digital Input Node



Smart Agriculture, Smart Building, Smart City, Smart Facility, Smart Farm, Smart Factory

SKU: WSSFC-DI

SIGFOX DIGITAL INPUT SENSOR WSSFC-DI



WSSFC-DI-H1.JPG



WSSFC-DI is a Sigfox-Ready node with digital inputs to detect logic status 0/1 OR counting pulses from the water meter, gas meter, power meter, proximity sensor, limit switch, machine output, pressure switch... Ultra-low-power design and smart firmware allow the sensor to run on a 2 x AA battery 1.5V for 10 years with one update per day. It can support Sigfox Zones RC1, RC2, RC3c, and RC4.

Applications

Electric Meter Reading, Gas Meter Reading, Water Meter Reading, Production Monitoring, Facility Monitoring, Flood Monitoring, Level Monitoring, Machine Health Monitoring, Safety Monitoring

Notes For Applications

- Accept the dry-contact output or voltage output with a max of 3.3V;
- Consider the shortest signal cable to avoid noise, especially for high-speed pulse applications;
- Recommend using the shielded cable with twisted pairs;
- Take note of the signal's duty cycle to meet this device's requirement.

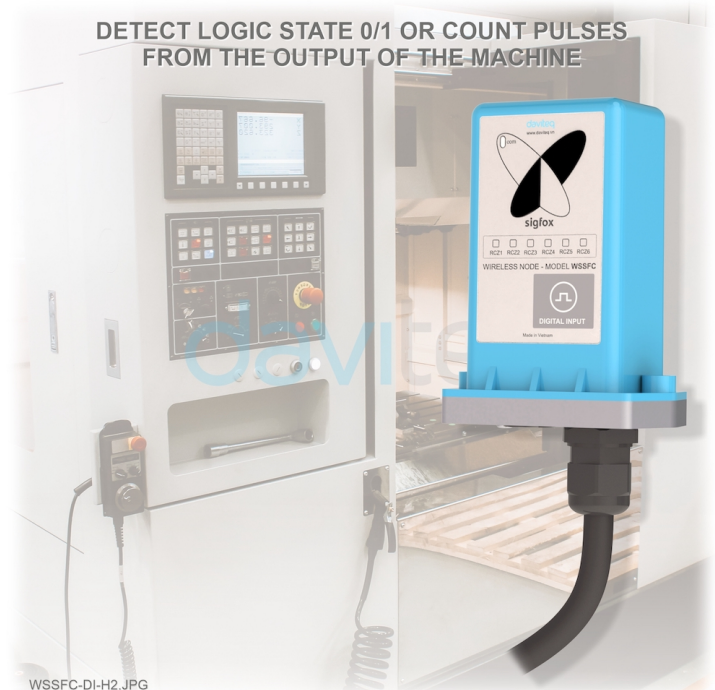
Sigfox Ready
Device are best operating performance on the SIGFOX network

Logic detecting or Pulse counting
One device for multiple applications

10-Year battery
Ultra-low power sensing technology from Daviteq with Ultra-low power wireless technology allow the sensor can last up to 10 years with 02 x Type AA batteries.

IP68
For both indoor and outdoor applications

DETECT LOGIC STATE 0/1 OR COUNT PULSES FROM THE OUTPUT OF THE MACHINE



WSSFC-DI-H2.JPG

DAVITEQ TECHNOLOGIES INC

Ho Chi Minh City, VN | Koblenz, DE | Melbourne, AU | Zurich, CH

+84.28.6268.2523 / 6268.2524

info@daviteq.com

www.iot.daviteq.com

Created date: Mar-31-2023

Updated date: Aug-28-2024

1/4

Specification

Digital Inputs	2-channel dry contact or low voltage ($\leq 3.3V$)
Operation	Detecting status or Pulse counting (max 1kHz)
VERSION	DI-12 (Low-speed digital input)
Input	2-Digital channel inputs with dry-contact or voltage input (max 3.3VDC)
Functions	Logic Detecting or Pulse Counting
	Logic Detecting: 2 channels, recommended minimum interval time between 02 statuses is 5 seconds.
	Pulse Counting: 1 channel only, max frequency 2Hz, minimum Pulse width (low or high) is 200mS, counter is uint32 type.
VERSION	DI-12H (High-speed digital input)
Input	2-Digital channel inputs with dry-contact or voltage input (max 3.3VDC)
Functions	Logic Detecting or Pulse Counting
	Logic Detecting: 2 channels, recommended minimum interval time between 02 statuses is 5 seconds.
	Pulse Counting: 2 channels, max frequency 1kHz, minimum Pulse width (low or high) is 200 μ S, counter is uint32 type.
COMMUNICATION	
Sigfox zones	select RC1-RC7
Sigfox Class	1u
Functions	Sending data in interval or when alarms occur
Antenna	Internal Antenna 2 dbi
Configuration	via Downlink of offline USB cable (PC software is supplied at free)
Electrical connection	Shielded cable 2m length with PG9 cable gland
Power Supply	Primary batteries 02 x AA size 1.5VDC (battery not included)
RF Module complies to	ETSI EN 300 220, EN 303 204 (Europe) FCC CFR47 Part15 (US), ARIB STD-T108 (Japan)
Working temperature	-40~60°C (with AA L91 Energizer®)
Dimensions	H106xW73xD42
Net-weight	190g
Housing	Aluminum + Polycarbonate plastic, IP68

DAVITEQ TECHNOLOGIES INC

📍 Ho Chi Minh City, VN | Koblenz, DE | Melbourne, AU | Zurich, CH

☎ +84.28.6268.2523 / 6268.2524

✉ info@daviteq.com

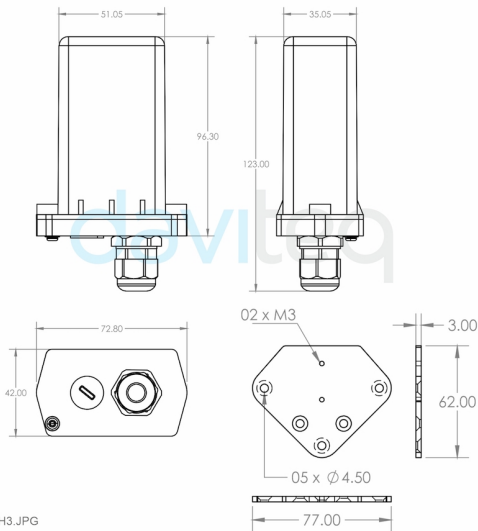
www.iot.daviteq.com

Created date: Mar-31-2023

Updated date: Aug-28-2024

2/4

DIMENSION DRAWING OF SENSOR NODE
(Unit: mm)



WSSFC-DI-H3.JPG

WHAT'S IN THE PACKAGE?



WSSFC-DI-H4.JPG

SYSTEM ARCHITECTURE



WSSFC-DI-H3.JPG

RECOMMENDED BATTERIES FOR WIRELESS SENSOR WS433

E91 AA Alkaline battery



-18 .. + 60 oC working temperature
10-year shelf life
3000 mAh Capacity
Price: 1X

L91 AA Lithium battery




-40 .. + 60 oC working temperature
20-year shelf life
3500 mAh Capacity
Price: 3.5X


ATH-H8.PNG


Ordering Information

ITEM CODE	DESCRIPTIONS
WSSFC-DI-12	Sigfox-Ready node with digital inputs, 2-channel, shielded cable 2m length with PG9 cable gland, internal antenna, type AA battery 1.5VDC, IP68.
WSSFC-DI-12H	Sigfox-Ready node with digital inputs, high speed 2-channel, shielded cable 2m length with PG9 cable gland, internal antenna, type AA battery 1.5VDC, IP68.

DAVITEQ TECHNOLOGIES INC

 Ho Chi Minh City, VN | Koblenz, DE | Melbourne, AU | Zurich, CH

 +84.28.6268.2523 / 6268.2524

 info@daviteq.com

www.iot.daviteq.com

Created date: Mar-31-2023

Updated date: Aug-28-2024

4/4