

# Sigfox-Ready Gas Sensor for General Industries



Smart Building, Smart City, Smart Facility, Smart Factory, Smart Healthcare, Smart Retail, Smart Transportation

SKU: WSSFC-G4H

## SIGFOX-READY GAS SENSOR FOR GENERAL INDUSTRIES WSSFC-G4H



Safe Zone

Hazardous Zones

5 years with 15 minutes update time, with only 1 size-D battery. The sensor supports Sigfox zones RC1, RC2 and RC4.

Typical applications: Kitchen and food processing; production facilities and factories; hospital; retail store; transportation and logistics; laboratory; hotel and entertainment; apartment.

### Applications

Indoor Air Quality Monitor, Gas Analyzing, Warehouse Monitoring, Odor Monitoring

### Notes For Applications



WSSFC-G4H-H1.PNG

**Sigfox-Ready**  
Support Sigfox Zones RC1, RC2, and RC4

**> 5-year battery**  
With ultra-low-power design and smart firmware, the sensor can last more than 5 years with single size-D battery

**IP66 Rating**  
Polycarbonate housing with IP66

**Plug & Play**  
The sensor is pre-configured before shipping

## WIRELESS GAS SENSOR MOUNTING ON THE WALL



WSSFC-G4H-H2.PNG

## DAVITEQ TECHNOLOGIES INC

Ho Chi Minh City, VN | Koblenz, DE | Melbourne, AU | Zurich, CH

+84.28.6268.2523 / 6268.2524

info@daviteq.com

www.iot.daviteq.com

Created date: May-27-2024


Updated date: Aug-28-2024


1/4


## Specification

Type of measuring gas	choose 1 of CH <sub>4</sub> , C <sub>3</sub> H <sub>8</sub> , O <sub>2</sub> , CO <sub>2</sub> , CO, SO <sub>2</sub> , H <sub>2</sub> S, NO <sub>2</sub> , H <sub>2</sub> , NH <sub>3</sub> gases
Measurement technology	high performance NDIR, high performance electrochemical sensor
Measuring range	0-100% LEL for CH <sub>4</sub> , C <sub>3</sub> H <sub>8</sub> , O <sub>2</sub> 0-25%, CO <sub>2</sub> 0-5000ppm, CO 0-200ppm, SO <sub>2</sub> 0-20ppm, H <sub>2</sub> S 0-50ppm, NO <sub>2</sub> 0-20ppm, H <sub>2</sub> 0-1000ppm, NH <sub>3</sub> 0-100ppm
Resolution	0.1% or 0.1ppm, 0.01ppm
Sensor working temperature	-20~60°C
Sensor Working humidity	15-90% RH, non-condensing
MTBF (lamp dependent only)	> 10 years for CH <sub>4</sub> , C <sub>3</sub> H <sub>8</sub> and CO <sub>2</sub> sensors, 2 years for remaining sensors
Operating pressure	700kPa to 1300kPa
Sigfox regions supported	RC1, RC2 and RC4
Antenna	Internal antenna 2.67 dbi
Data sending mode	interval, alarm occurs and is activated by magnet key.
RF module compliant	ETSI EN 300 220, EN 303 204 (Europe) FCC CFR47 Part15 (USA), ARIB STD-T108 (Japan)
Configuration	via USB cable (PC software provided free of charge)
Battery	01 x LiSOCI2 3.6V battery
Housing	Polycarbonate, IP66
Dimensions	H154xW104xD70
Net weight	< 300 grams (without battery)
Installation	Wall bracket

### DAVITEQ TECHNOLOGIES INC

 Ho Chi Minh City, VN | Koblenz, DE | Melbourne, AU | Zurich, CH

 +84.28.6268.2523 / 6268.2524

 info@daviteq.com

[www.iot.daviteq.com](http://www.iot.daviteq.com)

Created date: May-27-2024

Updated date: Aug-28-2024

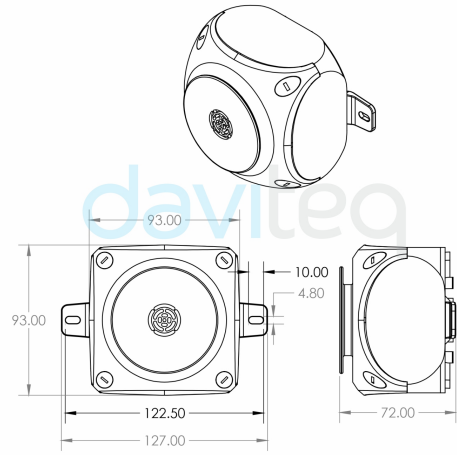
2/4

WIRELESS GAS SENSOR MOUNTING ON THE CEILING



WSSFC-G4H-H3.PNG

DIMENSION DRAWING OF WIRELESS SENSOR  
(Unit: mm)



WSSFC-G4H-H4.PNG

RECOMMENDED BATTERY

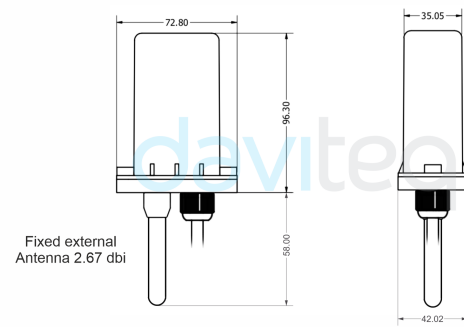
Saft LS33600 D Type 3.6V  
Li-SOCI2 battery



-60°C/+85°C (-76°F/+185°F) Working Temperature  
61.200 mWh Capacity

WSSFC-G4H-H5.PNG

DIMENSION DRAWINGS FOR  
SIGFOX SENSOR WITH ANALOG INPUT

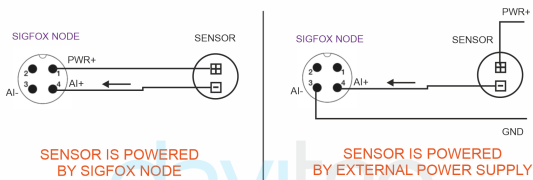


UNIT: mm

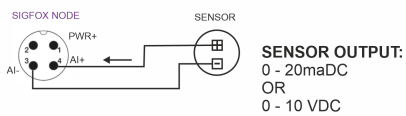
WSSFC-AI-H6.PNG

WIRING FOR SIGFOX SENSOR WITH ANALOG INPUT

CASE 1 - WORK WITH LOOP POWERED SENSOR



CASE 2 - WORK WITH NON - LOOP POWERED SENSOR



WSSFC-AI-H7.PNG

RECOMMENDED BATTERIES FOR SIGFOX SENSOR

E93 C type  
Alkaline battery 1.5VDC



-18 .. + 55 oC working temperature  
10-year shelf life  
12.000 mWh Capacity  
Price: 1X

Ls26500 C type  
Li-SOCI2 battery 3.6VDC



-60 .. + 85 oC working temperature  
20-year shelf life  
27.700 mWh Capacity  
Price: 8X

WSSFC-AI-H8.PNG

DAVITEQ TECHNOLOGIES INC

📍 Ho Chi Minh City, VN | Koblenz, DE | Melbourne, AU | Zurich, CH

☎ +84.28.6268.2523 / 6268.2524

✉ info@daviteq.com

www.iot.daviteq.com


Created date: May-27-2024


Updated date: Aug-28-2024


## Ordering Information

ITEM CODES	DESCRIPTIONS
WSSFC-G4F-CH4-01	SIGFOX-READY FLAMMABLE GAS SENSOR CH <sub>4</sub> , 0-100% LEL, 3.6V BATTERY, IP66, RC1, RC2 AND RC4
WSSFC-G4F-C3H8-01	SIGFOX-READY FLAMMABLE GAS SENSOR C <sub>3</sub> H <sub>8</sub> , 0-100% LEL, 3.6V BATTERY, IP66, RC1, RC2 AND RC4
WSSFC-G4F-O2-25	SIGFOX-READY OXYGEN GAS SENSOR, 0-25%, BATTERY 3.6V, IP66, RC1, RC2 AND RC4
WSSFC-G4H-CO2-5K	SIGFOX-READY CO <sub>2</sub> SENSOR, 0-5000PPM, 3.6V BATTERY, IP66, RC1, RC2 AND RC4
WSSFC-G4H-CO-200	SIGFOX-READY CO SENSOR, 0-200PPM, 3.6V BATTERY, IP66, RC1, RC2 AND RC4
WSSFC-G4H-SO2-20	SIGFOX-READY SO <sub>2</sub> SENSOR, 0-20PPM, 3.6V BATTERY, IP66, RC1, RC2 AND RC4
WSSFC-G4H-H2S-50	SIGFOX-READY H <sub>2</sub> S SENSOR, 0-50PPM, 3.6V BATTERY, IP66, RC1, RC2 AND RC4
WSSFC-G4H-NO2-20	SIGFOX-READY NO <sub>2</sub> SENSOR, 0-20PPM, 3.6V BATTERY, IP66, RC1, RC2 AND RC4
WSSFC-G4H-H2-1K	SIGFOX-READY HYDROGEN GAS SENSOR, 0-1000PPM, 3.6V BATTERY, IP66, RC1, RC2 AND RC4
WSSFC-G4F-NH3-100	SIGFOX-READY AMMONIAC GAS SENSOR, 0-100PPM, 3.6V BATTERY, IP66, RC1, RC2 AND RC4

### DAVITEQ TECHNOLOGIES INC

 Ho Chi Minh City, VN | Koblenz, DE | Melbourne, AU | Zurich, CH

 +84.28.6268.2523 / 6268.2524

 info@daviteq.com

[www.iot.daviteq.com](http://www.iot.daviteq.com)

Created date: May-27-2024

Updated date: Aug-28-2024

4/4