

# Sigfox Non-Intrusive Radar Level Sensor



Smart Agriculture, Smart Building, Smart City, Smart Facility, Smart Farm, Smart Factory, Smart Transportation, Smart Utilities

SKU: WSSFC-NIR



Safe Zone

Hazardous Zones

WSSFC-NIR is an affordable and efficient radar level sensor for various liquid applications. This battery-operated device accurately measures levels of chemicals, water, and oil in tanks. Powered by advanced 60GHz Pulse Radar Technology, it provides reliable measurements with minimal power consumption. With a single D-size battery, it can operate for up to 10 years (depending on configuration). It is compatible with Sigfox networks worldwide for seamless connectivity. The WSSFC-NIR simplifies monitoring solutions, offering transparency in storage and transportation of liquids and solids. It is suitable for remote level monitoring, inventory management, and tracking mobile tanks in various industries.

## Applications

Level Monitoring, Process Monitoring, Flood Monitoring, Safety Monitoring, Smart Irrigation, Infrastructure Monitoring

## Notes For Applications

- Sigfox Ready**  
Device are best operating performance on the SIGFOX network
- Non-intrusive Installation**  
60GHz Radar technology allow non-intrusive installation.
- 10-Year Battery**  
Ultra-low power Radar sensing technology from Daviteq with Ultra-low power wireless technology allow the sensor can last up to 10 years with a single battery.
- IP68 Outdoor**  
IP68 design for both Indoor and Outdoor applications



## DAVITEQ TECHNOLOGIES INC

Ho Chi Minh City, VN | Koblenz, DE | Melbourne, AU | Zurich, CH

+84.28.6268.2523 / 6268.2524

info@daviteq.com

[www.iot.daviteq.com](http://www.iot.daviteq.com)

Created date: Jul-10-2023

Updated date: Aug-28-2024

1/4

## Specification

Sensor Technology	Ultra-low powered 60GHz Radar Technology
Measurement range	200~7000mm (Non-flat surface will give shorter range in actual condition)
Resolution	±1.0mm
Accuracy	±10 mm
Working process temperature	-40~85°C
Working process pressure	vacuum to 1 barg
Sensor sampling rate	configurable from 1 min up to 60 min
Alarm setting	setting the alarm threshold for calculated value
COMMUNICATION	
Sigfox zones	RC1~RC7
Antenna	Internal antenna 2.0 dbi
GPS	optional, 5m accuracy (outdoor)
Battery	01 x D Type 3.6VDC, working time up to 10 years (depends on configuration)
RF Module complies to	CE, FCC, ARIB
Working temperature	-40~85°C (with SAFT LS33600)
Dimensions	D120 × H60
Net-weight	250g (not included battery)
Housing	PTFE/ PBT/ Polycarbonate & POM, IP68
Mounting bracket	c/w standard mounting bracket for wall mount, ceiling mount and IBC Tank mount.

### DAVITEQ TECHNOLOGIES INC

📍 Ho Chi Minh City, VN | Koblenz, DE | Melbourne, AU | Zurich, CH

☎ +84.28.6268.2523 / 6268.2524

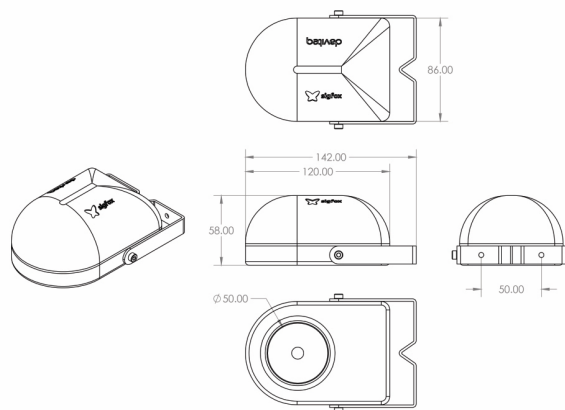
✉ info@daviteq.com

[www.iot.daviteq.com](http://www.iot.daviteq.com)

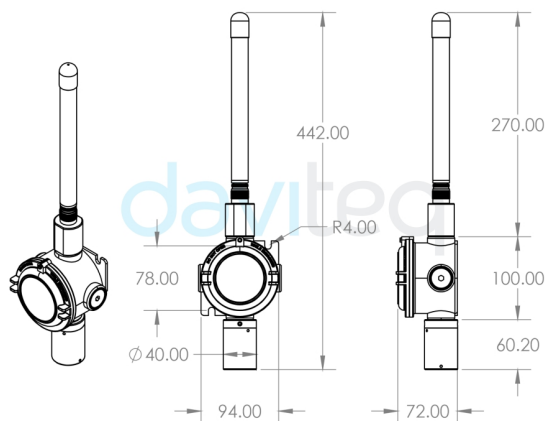
Created date: Jul-10-2023

Updated date: Aug-28-2024

2/4



**DIMENSION DRAWING OF SENSOR NODE**  
(Unit: mm)



WSLRWEX-ATH-H5.JPG

**RECOMMENDED BATTERIES FOR LoRaWAN SENSOR**

LS 26500 Lithium battery



-60°C..+85°C working temperature  
Low self-discharge rate  
7.7 Ah Capacity

WSLRWEX-ATH-H6.JPG

**DAVITEQ TECHNOLOGIES INC**

📍 Ho Chi Minh City, VN | Koblenz, DE | Melbourne, AU | Zurich, CH

☎ +84.28.6268.2523 / 6268.2524

✉ info@daviteq.com

www.iot.daviteq.com


Created date: Jul-10-2023

Updated date: Aug-28-2024


## Ordering Information

ITEM CODE	DESCRIPTIONS
WSSFC-NIR-01	Sigfox-Ready Non-intrusive Radar Level Sensor, 20-700cm, No GPS, Internal antenna, Type D battery 3.6VDC, IP68, for all RC zones, c/w standard mounting bracket
WSSFC-NIR-01-GPS	Sigfox-Ready Non-intrusive Radar Level Sensor, 20-700cm, with GPS, Internal antenna, Type D battery 3.6VDC, IP68, for all RC zones, c/w standard mounting bracket

### DAVITEQ TECHNOLOGIES INC

 Ho Chi Minh City, VN | Koblenz, DE | Melbourne, AU | Zurich, CH

 +84.28.6268.2523 / 6268.2524

 info@daviteq.com

[www.iot.daviteq.com](http://www.iot.daviteq.com)

Created date: Jul-10-2023

Updated date: Aug-28-2024

4/4