

Sigfox Process Pressure Sensor



Smart Agriculture, Smart Building, Smart City, Smart Energy, Smart Facility, Smart Factory, Smart Farm, Smart Retail, Smart Utilities

SKU: WSSFC-PPS

SIGFOX Node Process Pressure Sensor WSSFC-PPS



sigfox



10-Year



IP67
WEATHERPROOF



WSSFC-PPS-H1.PNG

Safe Zone

Hazardous Zones

WSSFC-PPS is a Sigfox-ready integrated Process Pressure Sensor, and it has different kinds of measurements, such as Gage/Absolute/Sealed Gage, range -1~1000 barg, high accuracy, and stability. The sensor will transmit data in kilo-meters distance to Sigfox base stations. WSSFC-PPS can support all regions of Sigfox network in over the World, RC1, RC2, RC3, RC4, RC5, RC6, RC7.

Applications

Flood Monitoring, Fuel Monitoring, Level Monitoring, Process Monitoring, Safety Monitoring, Smart Irrigation, Water Pressure Pipeline Monitor

Notes For Applications

- Sensor Materials Compatibility: Choose materials that won't react with the substances or degrade in corrosive media.
- Environmental Conditions: Consider the system environment (pipes, vibrations, temperature, etc.).
- Pressure Range: Choose sensors that function well within the process range.
- Precision and Sensitivity: Determine the required level of precision and sensitivity.

Sigfox Ready
Device are best operating performance on the SIGFOX network

10-Year battery
Ultra-low power sensing technology from Daviteq with Ultra-low power wireless technology allow the sensor can last up to 10 years with a 2 x AA Type battery.

High Accuracy & Stable
Advanced Piezo technology to deliver high accuracy and stable measurement

IP68
IP68 design for both Indoor and Outdoor applications

PRESSURE SENSOR INSTALLED ON THE WATER PIPE



sigfox



10-Year



IP67
WEATHERPROOF



WSSFC-PPS-H2.PNG

DAVITEQ TECHNOLOGIES INC

Ho Chi Minh City, VN | Koblenz, DE | Melbourne, AU | Zurich, CH

+84.28.6268.2523 / 6268.2524

info@daviteq.com

www.iot.daviteq.com

Created date: Dec-21-2022

Updated date: Aug-28-2024

1/4

Specification

Sensor	Advanced PIEZO technology
Measurement range	Select from -1~1000 bar Gage/Absolute/Sealed Gage
Over pressure protection	1.5 x Span
Accuracy & Stability	0.25% or 0.5% of span, < 0.2% span/ year
Wetted parts	304SS/316SS
Measuring Fluids	Any fluid which is workable with materials 304SS/316SS
Working temperature	-20~80°C
Compensation temperature	-10~50°C
Process connection	Standard G 1/4 or Others (consult factory)
COMMUNICATION	
Sigfox zones	RC1~RC7
Antenna	Internal Antenna 2.0 dbi
Battery	02 x AA Type 1.5VDC, working time up to 10 years (depends on configuration)
RF Module complies to	CE, FCC, ARIB
Working temperature	-40~60°C (using Energizer® Lithium Ultimate AA battery)
Dimensions	H180xW50xD40
Net-weight	250g
Housing	Polycarbonate & POM plastic, IP68

DAVITEQ TECHNOLOGIES INC

📍 Ho Chi Minh City, VN | Koblenz, DE | Melbourne, AU | Zurich, CH

☎ +84.28.6268.2523 / 6268.2524

✉ info@daviteq.com

www.iot.daviteq.com

Created date: Dec-21-2022

Updated date: Aug-28-2024

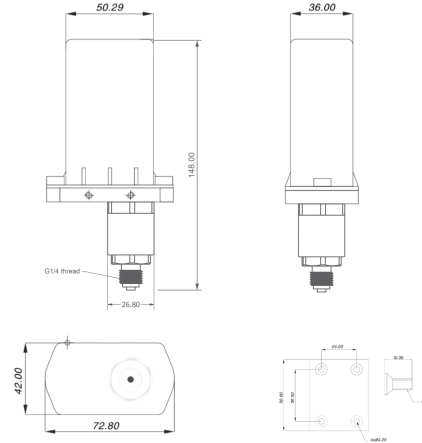
2/4

SYSTEM ARCHITECTURE



WSSFC-PPS-H3.PNG

DIMENSION DRAWING OF WIRELESS SENSOR (Unit: mm)



WSSFC-PPS-H4.PNG

RECOMMENDED BATTERIES

E91 AA Alkaline battery



- 18 .. + 60 oC working temperature
- 10-year shelf life
- 3000 mAh Capacity
- Price: 1X

L91 AA Lithium battery



- 40 .. + 60 oC working temperature
- 20-year shelf life
- 3500 mAh Capacity
- Price: 3.5X

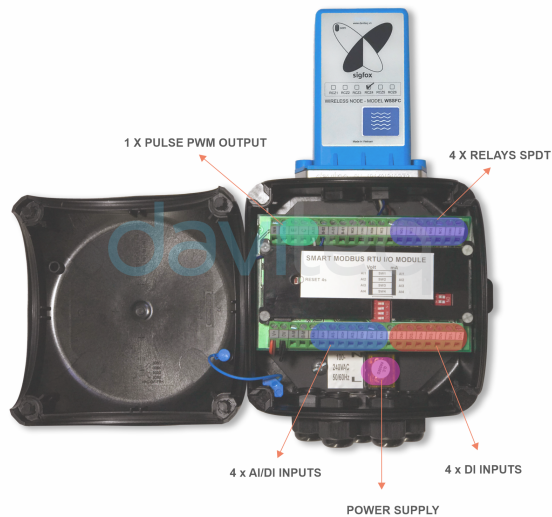
WSSFC-PPS-H5.PNG

SMART AGRICULTURE / SMART FARM / ENVIRONMENTAL MONITORING



WSSFC-IO-H6.PNG

INTERNAL WIRING



WSSFC-IO-H7.PNG

USB-RS485 CONFIGURATION CABLE



WSSFC-IO-H8.PNG

DAVITEQ TECHNOLOGIES INC

📍 Ho Chi Minh City, VN | Koblenz, DE | Melbourne, AU | Zurich, CH

☎ +84.28.6268.2523 / 6268.2524

✉ info@daviteq.com

www.iot.daviteq.com

Created date: Dec-21-2022


Updated date: Aug-28-2024

Ordering Information

ITEM CODE	DESCRIPTIONS
WSSFC-PPS-G10-02	Sigfox-Ready Process Pressure Sensor, 0-10 barg, 304SS/316L, G 1/4"
WSSFC-PPS-G20-02	Sigfox-Ready Process Pressure Sensor, 0-20 barg, 304SS/316L, G 1/4"
WSSFC-PPS-G40-03	Sigfox-Ready Process Pressure Sensor, 0-40 barg, 304SS/316L, 1/4" NPT
WSSFC-PPS-G70-03	Sigfox-Ready Process Pressure Sensor, 0-70 barg, 304SS/316L, 1/4" NPT
WSSFC-PPS-G100-04	Sigfox-Ready Process Pressure Sensor, 0-100 barg, 304SS/316L, 1/2" NPT
WSSFC-PPS-G250-04	Sigfox-Ready Process Pressure Sensor, 0-250 barg, 304SS/316L, 1/2" NPT
WSSFC-PPS-G400-04	Sigfox-Ready Process Pressure Sensor, 0-400 barg, 304SS/316L, 1/2" NPT
WSSFC-PPS-G700-04	Sigfox-Ready Process Pressure Sensor, 0-700 barg, 304SS/316L, 1/2" NPT
WSSFC-PPS-G1000-04	Sigfox-Ready Process Pressure Sensor, 0-1000 barg, 304SS/316L, 1/2" NPT

DAVITEQ TECHNOLOGIES INC

 Ho Chi Minh City, VN | Koblenz, DE | Melbourne, AU | Zurich, CH

 +84.28.6268.2523 / 6268.2524

 info@daviteq.com

www.iot.daviteq.com

Created date: Dec-21-2022

Updated date: Aug-28-2024

4/4