

Sigfox-Ready Ex d approved Ambient Humidity and Temperature sensor



Smart Facility

SKU: WSSFCEX-ATH

SIGFOX-READY Ex d AMBIENT HUMIDITY AND TEMPERATURE SENSOR WSSFCEX-ATH



sigfox



10-Year



IP67 WEATHERPROOF



WSSFCEX-ATH-H1.JPEG



○ Safe Zone

✓ Hazardous Zones

WSSFCEX-ATH is a Sigfox-ready sensor with Ex d explosion-proof approval, comes with a built-in high-performance ambient humidity and temperature sensor. With Ultra-low-power design and smart firmware allow the complete Wireless and Sensor package to run on a single battery 3.6V for 5 years or more with 15 minutes update. It supports all Sigfox zones like RC1-RC2-RC3-RC4-RC5-RC6-RC7.

Typical applications: Ambient humidity and temperature monitoring for warehouse or area with flammable gases or dust.

Applications

Automatic Ventilation System, Facility Monitoring, Indoor Air Quality Monitor, Warehouse Monitoring, Temperature Monitoring

Notes For Applications

- Accuracy: Determine the required accuracy level.
- Operating Temperature Range: Ensure within your application's temperature range.
- Response Time: Select a sensor with an appropriate response time.
- Size and Power Consumption: Opt for small form factors and low power consumption for portable or battery powered applications.
- Environmental Compatibility: Assess compatibility with the operating environment, including exposure to chemicals and contaminants.

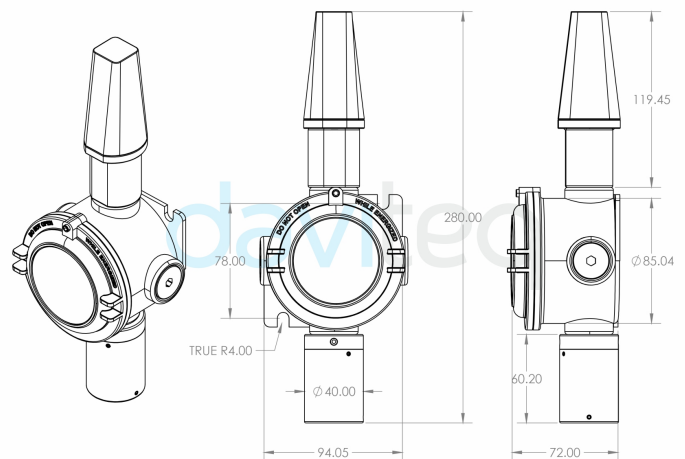
✓ **Sigfox Ready**
Support RC1-RC2-RC3-RC4-RC5-RC6-RC7.

✓ **High performance Sensor**
High accuracy 1.5%RH and 0.1°C

✓ **More than 5 years Battery life**
Ultra low power sensor technology allow 5-year battery life with a single battery 3.6V

✓ **Plug & Play**
The sensor is tested and pre-configured in factory before shipping.

DIMENSION DRAWING OF WIRELESS SENSOR (Unit: mm)



WSSFCEX-ATH-H2.JPEG

DAVITEQ TECHNOLOGIES INC

Ho Chi Minh City, VN | Koblenz, DE | Melbourne, AU | Zurich, CH

+84.28.6268.2523 / 6268.2524

info@daviteq.com

www.iot.daviteq.com

Created date: May-27-2024


Updated date: Aug-28-2024


1/4


Specification

Sensor	Digital type, factory calibrated, output both Humidity & Temperature values
Humidity measuring range & accuracy	0~100 %RH, $\pm 1.5\%$ highest
Humidity resolution	0.1%
Temperature measuring range & accuracy	-40~85°C, $\pm 0.1^\circ\text{C}$ highest
Temperature resolution	0.1°C
Sigfox zones	select RC2-RC3-RC4-RC5 or RC1-RC6-RC7
Antenna	N-male type external Antenna
Battery	LiSOCl ₂ 3.6V, working time up to 10 years (depends on configuration)
ATEX Certificates	IMQ 14 ATEX 005 X, TÜV CY 18 ATEX 0206158 X and IECEx DEK 15.0048X
Marking	ATEX II 2G Ex db IIC T4 Gb and ATEX II 2D Ex tb IIIC T135°C Db
Directive	ATEX 2014/34/EU
Standards	IEC-EN60079-0 IEC-EN60079-1 IEC-EN60079-31
Applicable zones	Zone 1 - 21 (gas) and Zone 2 - 22 (dust)
Ambient working temperature	-40~85°C
Housing	Cast aluminium, powder coated, IP66
Mounting	wall mounting holes
Product dimensions	H100xW100xD80 (excluded antenna)
Net weight	1.5 kgs
Packaging dimension	W160 x D150 x H250 mm
Gross weight	< 1.6 kgs

DAVITEQ TECHNOLOGIES INC

 Ho Chi Minh City, VN | Koblenz, DE | Melbourne, AU | Zurich, CH

 +84.28.6268.2523 / 6268.2524

 info@daviteq.com

www.iot.daviteq.com

Created date: May-27-2024

Updated date: Aug-28-2024

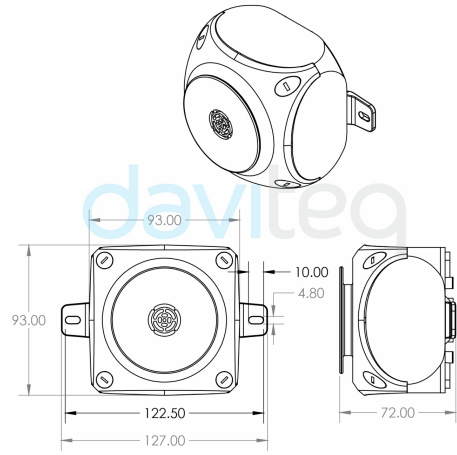
2/4

WIRELESS GAS SENSOR MOUNTING ON THE CEILING



WSSFC-G4H-H3.PNG

DIMENSION DRAWING OF WIRELESS SENSOR
(Unit: mm)



WSSFC-G4H-H4.PNG

RECOMMENDED BATTERY

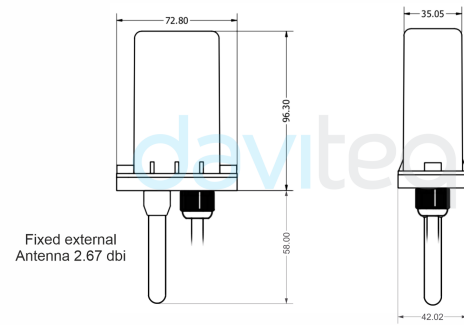
Saft LS33600 D Type 3.6V
Li-SOCI2 battery



-60°C/+85°C (-76°F/+185°F) Working Temperature
61.200 mWh Capacity

WSSFC-G4H-H5.PNG

DIMENSION DRAWINGS FOR
SIGFOX SENSOR WITH ANALOG INPUT

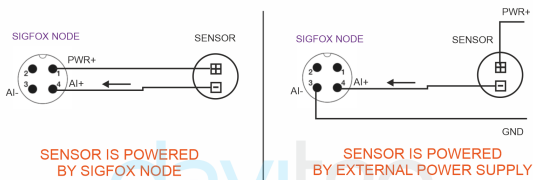


UNIT: mm

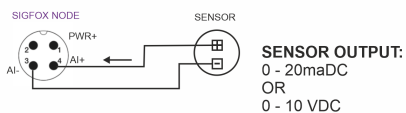
WSSFC-AI-H6.PNG

WIRING FOR SIGFOX SENSOR WITH ANALOG INPUT

CASE 1 - WORK WITH LOOP POWERED SENSOR



CASE 2 - WORK WITH NON - LOOP POWERED SENSOR



WSSFC-AI-H7.PNG

RECOMMENDED BATTERIES FOR SIGFOX SENSOR

E93 C type
Alkaline battery 1.5VDC



-18 .. + 55 oC working temperature
10-year shelf life
12.000 mWh Capacity
Price: 1X

Ls26500 C type
Li-SOCI2 battery 3.6VDC



-60 .. + 85 oC working temperature
20-year shelf life
27.700 mWh Capacity
Price: 8X

WSSFC-AI-H8.PNG

DAVITEQ TECHNOLOGIES INC

📍 Ho Chi Minh City, VN | Koblenz, DE | Melbourne, AU | Zurich, CH

☎ +84.28.6268.2523 / 6268.2524

✉ info@daviteq.com

www.iot.daviteq.com

Created date: May-27-2024

Updated date: Aug-28-2024

Ordering Information

ITEM CODES	DESCRIPTIONS
WSSFCEX-ATH-15	SIGFOX-READY AMBIENT HUMIDITY AND TEMPERATURE SENSOR, EX D APPROVAL, ZONE 1/2/21/22, IP66, 3.6V BATTERY, RC1-RC2-RC4 ZONES

DAVITEQ TECHNOLOGIES INC

Ho Chi Minh City, VN | Koblenz, DE | Melbourne, AU | Zurich, CH

+84.28.6268.2523 / 6268.2524

info@daviteq.com

www.iot.daviteq.com

Created date: May-27-2024

Updated date: Aug-28-2024